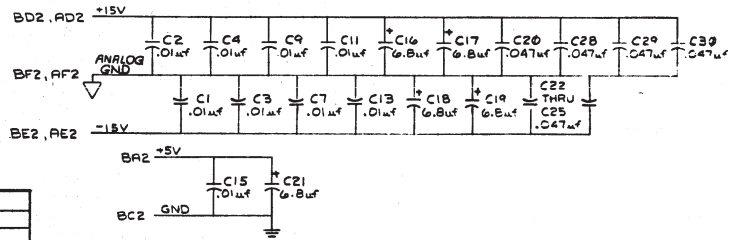
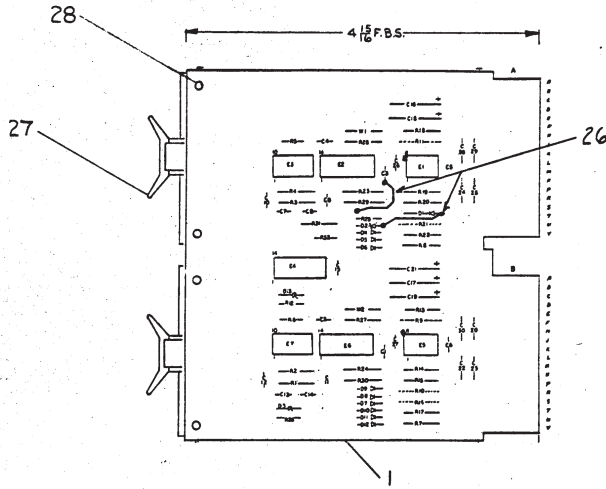


THIS DRAWING AND SPECIFICATIONS HEREIN ARE THE PROPERTY OF DIGITAL EQUIPMENT CORPORATION AND SHALL NOT BE REPRODUCED OR COPIED OR USED IN WHOLE OR IN PART AS THE BASIS FOR THE MANUFACTURE OR SALE OF ITEMS WITHOUT WRITTEN PERMISSION.
 COPYRIGHT © 1973 DIGITAL EQUIPMENT CORPORATION

NOTES:



DEC 0002	-	-	2	4
DEC 318	-	-	7	4
DEC 310	-	-	11	6
IC TYPE	GND	+5V	+15V	-15V

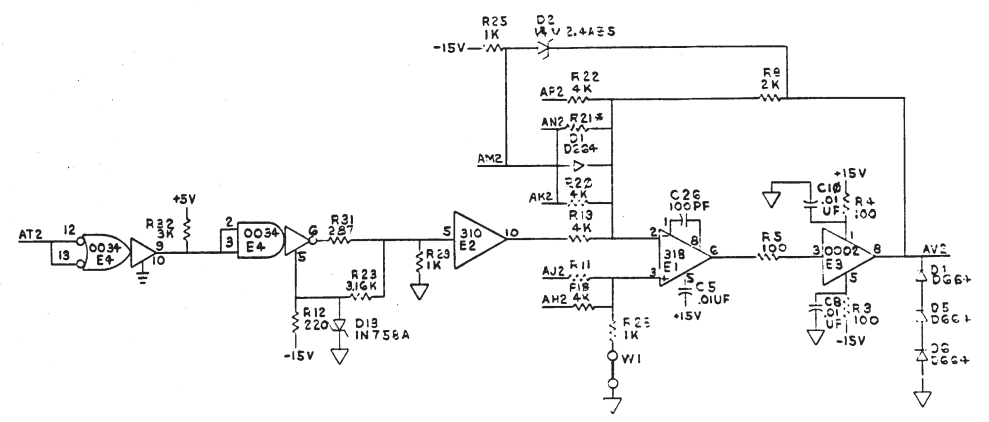
GND AND 5V ARE USUALLY PIN 7 AND 14 RESPECTIVELY. EXCEPTIONS ARE STATED ABOVE.

IC PIN LOCATIONS

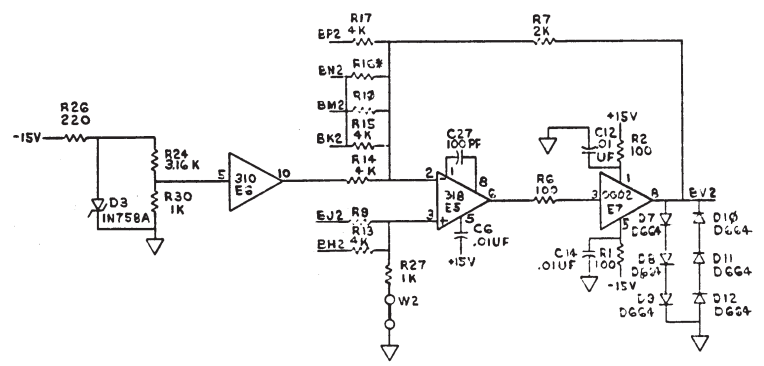
QTY	REF DESIGNATION	DESCRIPTION	PART NO	ITEM NO.
1	X-Y COORDINATE HOLE LOCATION	KCO-9238 0-4	REF	
1	ASSEMBLY DRILLING HOLE LAYOUT	B-MH-6238 0-5	REF	
1	MODULE ECO HISTORY	B-MH-A286 0-6	REF	
1	ETCHED CRT. BOARD	5009939	1	
15	C1 THRU C15	CAP. 0.01uf 100V 20% DISC	1001610-21	2
5	C16 THRU C19, C21	CAP. 0.08uf 35V 10% TMLT	1005306	3
8	C22, C23 THRU C25, C29, C30	CAP. 0.047uf 20% 250V NYLAR	1003053	4
2	C26, C27	CAP. 100uf 5% 100V DM	1000016	5
2	D13, D3	DIODE 1N758A ZENER	1100125	6
10	D1, D4 THRU D12	DIODE D664	1100114	7
4	R1 THRU R4	RES. 100 5% 1/2W	1300228	8
2	R5, R6	RES. 100 5% 1/4W	1300229	9
2	R7, R8	RES. 2K 1% 1/8W (KNE55203B)	1305353	10
8	R13, R14, R15, R17, R18, R19, R20, R21	RES. 4K 1% 1/8W (KNE554001B)	1305354	11
2	R27, R28	RES. 1K 1% 1/8W (KNE551001B)	1304865	12
1	R31	RES. 207 1% 1/8W (KNE552810F)	1305124	13
1	R32	RES. 3K 5% 1/4W	1300432	14
2	R12, R26	RES. 220 5% 1/4W	1300271	15
2	R29, R30	RES. 1K 1% 1/8W (KNE551001F)	1303114	16
2	R23, R24	RES. 3.16K 1% 1/8W (KNE550316F)	1303045	17
2	R16, R21	RES. 820K 1/4W 10%	1303187	18
1	R25	RES. 1K 5% 1/4W	1300365	19
2	E2, E6	I.C. DEC 310	1910235	20
1	E4	I.C. DEC 0054	1910734	21
2	E1, E5	I.C. DEC 318	1910735	22
2	E3, E7	I.C. DEC 0002	1910443	23
2	W1, W2	JUMPER (INSULATED)	9004185	24
1	D2	DIODE 1/4 M 2.4A Z 5	1101938	25
N/R	WIRE #30 AWG GREEN		9105740-55	26
2		HANDLE FLIP-CHIP (AMBER)	9006937-0	27
4		EYELET	9006732	28

FIRST USED ON OPTION MODEL		/T15	
ETCH BOARD REV		C	
PARTS LIST			
CHN	DATE	digital EQUIPMENT CORPORATION	
REV	DATE	TITLE DUAL ANALOG SUMMER & DRIVER	
PROJ ENG	DATE	SCALE NONE	
PROD	DATE	SHEET 1 OF 2	
NEXT HIGHER ASSY		NUMBER A23R 0-1	
DEC NO	EIA NO	DEC NO	EIA NO
SEMICONDUCTOR CONVERSION CHART			

ALL DRAWING AND SPECIFICATION HEREIN ARE THE PROPERTY OF DIGITAL EQUIPMENT CORPORATION AND SHALL BE RETURNED TO THE COMPANY OR DESTROYED BY THE USER IN WHOLE OR IN PART WITHOUT WRITTEN PERMISSION OF THE COMPANY. © 1975 DIGITAL EQUIPMENT CORPORATION



NOTES
 R9, R10, R11, ARE OPTIONAL COMPONENTS - DO NOT INSERT.
 * R16, R21 MAY BE CHANGED IN TEST TO IMPROVE GAIN ACCURACY.



REVISIONS		
CHR.	CHANGE NO.	REV.