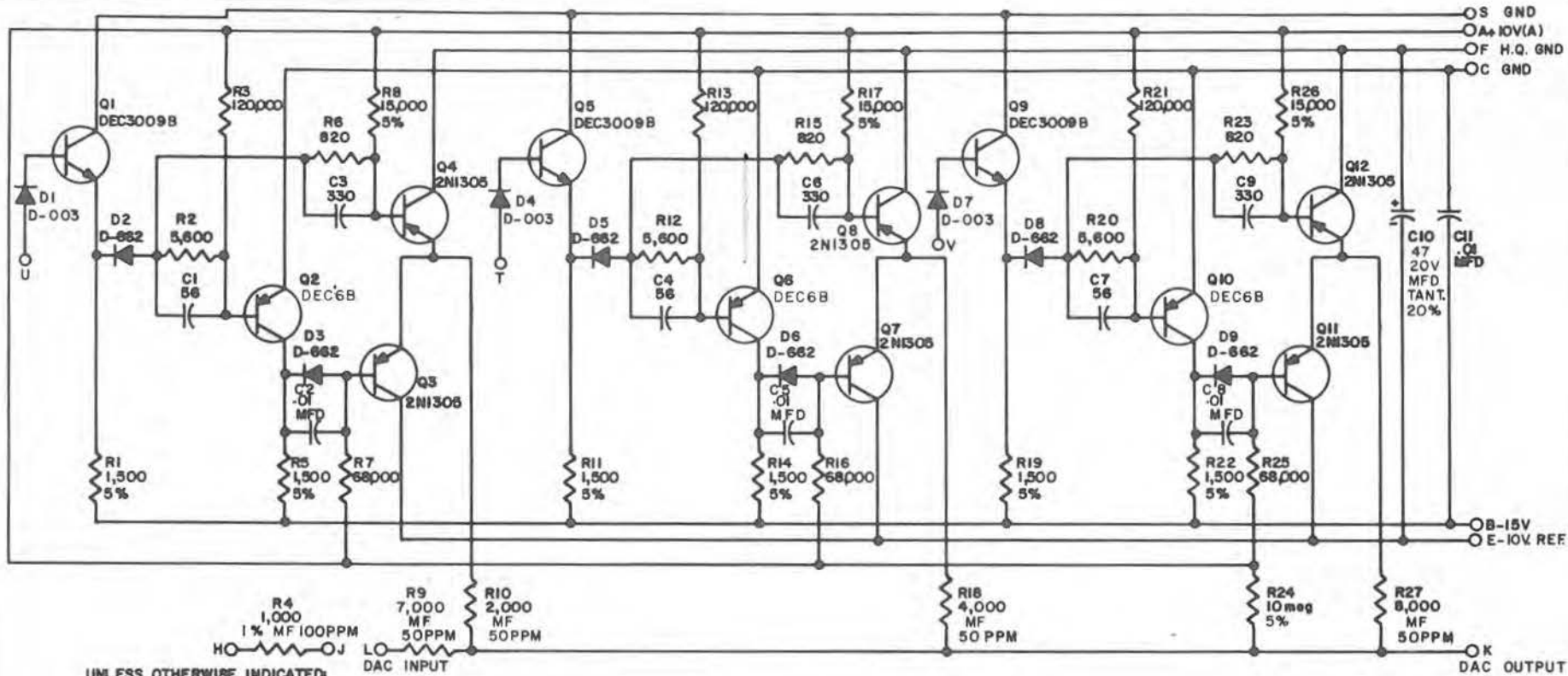


REV J A601-0-1

THIS SCHEMATIC IS FURNISHED ONLY FOR TEST AND MAINTENANCE PURPOSES. THE CIRCUITS ARE PROPRIETARY IN NATURE AND SHOULD BE TREATED ACCORDINGLY. COPYRIGHT 1964 BY DIGITAL EQUIPMENT CORPORATION.



UNLESS OTHERWISE INDICATED: RESISTORS ARE 1/4W; 10% MF RESISTORS ARE 0.1%; 1/8W CAPACITORS ARE MMFD

NOTE: WHEN USED AS THE LEAST SIGNIFICANT BIT, CONNECT J TO L AND CONNECT H TO H.Q. GND. PARTS LIST A-PL-A601-0-0

-----

REV	CHG NO	REV
2	4459	DAW
D	5616	REV
E	5728	REV
L	5836	REV
H	6756	REV
J	7004	REV

DRN.	DATE
H. PORTER	9-15-64
CHK'D	DATE
N. PERRYMAN	9-30-64
ENG	DATE
R. SORENSEN	9-30-64
PROD	DATE

TRANSISTOR & DIODE CONVERSION CHART			
DEC	EIA	DEC	EIA
2N1305	SAME		
DEC 6B	NQNE		
DEC3009B	2N3009		
D003	IN994		
D662	IN645		

**digital**  
EQUIPMENT CORPORATION  
MAYNARD, MASSACHUSETTS

TITLE			
3 BIT DAC A601			
SIZE	CODE	NUMBER	REV
B	CS	A601-0-1	J
PRINTED CIRCUIT REV			D

DEC FORM NO DRB 102

DIST. 434 324 425

PINK