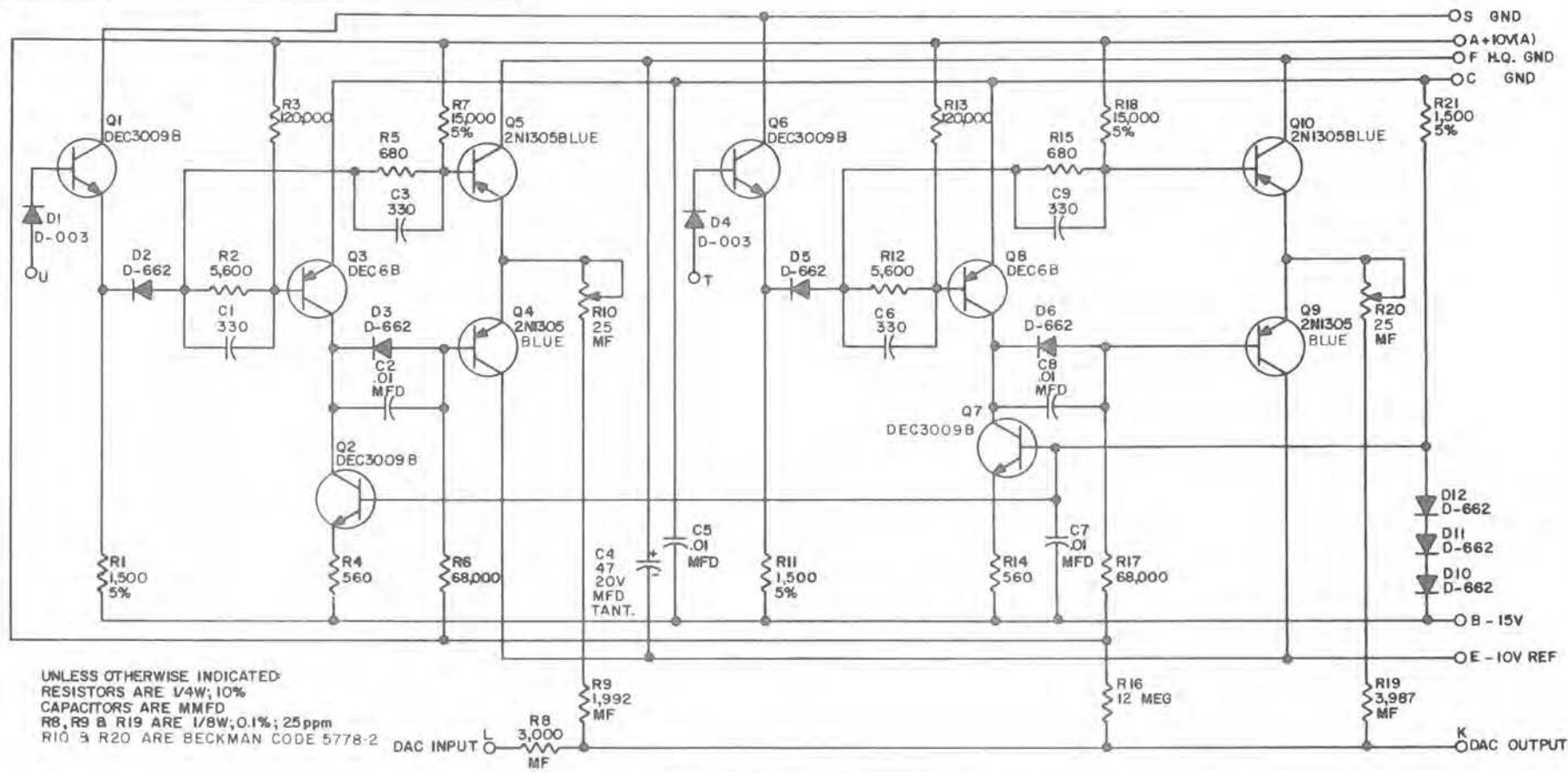


↓

N	REV
A604-0-1	NUMBER
CS	SIZE
B	3

THIS SCHEMATIC IS FURNISHED ONLY FOR TEST AND MAINTENANCE PURPOSES. THE CIRCUITS ARE PROPRIETARY IN NATURE AND SHOULD BE TREATED ACCORDINGLY. COPYRIGHT 1964 BY DIGITAL EQUIPMENT CORPORATION



UNLESS OTHERWISE INDICATED:
RESISTORS ARE 1/4W, 10%
CAPACITORS ARE MMFD
R8, R9 & R19 ARE 1/8W, 0.1%; 25 ppm
R10 & R20 ARE BECKMAN CODE 5778-2

PARTS LIST A-PL-A604-0-0

<table border="1" style="width: 100%; border-collapse: collapse;"> <tr> <th style="text-align: center;">REV</th> <th style="text-align: center;">CHG NO</th> <th style="text-align: center;">REV</th> </tr> <tr> <td style="text-align: center;">4</td> <td style="text-align: center;">4445</td> <td style="text-align: center;">S</td> </tr> <tr> <td style="text-align: center;">3</td> <td style="text-align: center;">5541</td> <td style="text-align: center;">F</td> </tr> <tr> <td style="text-align: center;">2</td> <td style="text-align: center;">5605</td> <td style="text-align: center;">H</td> </tr> <tr> <td style="text-align: center;">1</td> <td style="text-align: center;">5626</td> <td style="text-align: center;">J</td> </tr> <tr> <td style="text-align: center;">0</td> <td style="text-align: center;">5730</td> <td style="text-align: center;">K</td> </tr> <tr> <td style="text-align: center;">0</td> <td style="text-align: center;">6742</td> <td style="text-align: center;">L</td> </tr> <tr> <td style="text-align: center;">0</td> <td style="text-align: center;">6850</td> <td style="text-align: center;">M</td> </tr> <tr> <td style="text-align: center;">0</td> <td style="text-align: center;">7003</td> <td style="text-align: center;">N</td> </tr> <tr> <td style="text-align: center;">0</td> <td style="text-align: center;">7011</td> <td style="text-align: center;">O</td> </tr> </table>	REV	CHG NO	REV	4	4445	S	3	5541	F	2	5605	H	1	5626	J	0	5730	K	0	6742	L	0	6850	M	0	7003	N	0	7011	O	<table border="1" style="width: 100%; border-collapse: collapse;"> <tr> <td>DRN H. PORTER</td> <td>DATE 11-30-64</td> </tr> <tr> <td>CHK'D N. PERRYMAN</td> <td>DATE 12-1-64</td> </tr> <tr> <td>ENG R. SORENSEN</td> <td>DATE 12-1-64</td> </tr> <tr> <td>PROD</td> <td>DATE</td> </tr> </table>	DRN H. PORTER	DATE 11-30-64	CHK'D N. PERRYMAN	DATE 12-1-64	ENG R. SORENSEN	DATE 12-1-64	PROD	DATE	<table border="1" style="width: 100%; border-collapse: collapse;"> <tr> <th colspan="4" style="text-align: center;">TRANSISTOR & DIODE CONVERSION CHART</th> </tr> <tr> <th style="text-align: center;">DEC</th> <th style="text-align: center;">EIA</th> <th style="text-align: center;">DFT</th> <th style="text-align: center;">EIA</th> </tr> <tr> <td style="text-align: center;">DEC6B</td> <td style="text-align: center;">NONE</td> <td style="text-align: center;">D662</td> <td style="text-align: center;">1N645</td> </tr> <tr> <td style="text-align: center;">DEC3009B</td> <td style="text-align: center;">2N3009</td> <td></td> <td></td> </tr> <tr> <td style="text-align: center;">2N1305B</td> <td style="text-align: center;">NONE</td> <td></td> <td></td> </tr> <tr> <td style="text-align: center;">D003</td> <td style="text-align: center;">1N994</td> <td></td> <td></td> </tr> </table>	TRANSISTOR & DIODE CONVERSION CHART				DEC	EIA	DFT	EIA	DEC6B	NONE	D662	1N645	DEC3009B	2N3009			2N1305B	NONE			D003	1N994			<p style="text-align: center;">digital</p> <p style="text-align: center;">EQUIPMENT CORPORATION MAYNARD, MASSACHUSETTS</p>	<table border="1" style="width: 100%; border-collapse: collapse;"> <tr> <td colspan="4" style="text-align: center;">TITLE 2 BIT DAC A604</td> </tr> <tr> <td style="text-align: center;">SIZE B</td> <td style="text-align: center;">CODE CS</td> <td style="text-align: center;">NUMBER A604-0-1</td> <td style="text-align: center;">REV N</td> </tr> <tr> <td colspan="3" style="text-align: center;">PRINTED CIRCUIT REV</td> <td style="text-align: center;">FH</td> </tr> </table>	TITLE 2 BIT DAC A604				SIZE B	CODE CS	NUMBER A604-0-1	REV N	PRINTED CIRCUIT REV			FH
	REV	CHG NO	REV																																																																											
4	4445	S																																																																												
3	5541	F																																																																												
2	5605	H																																																																												
1	5626	J																																																																												
0	5730	K																																																																												
0	6742	L																																																																												
0	6850	M																																																																												
0	7003	N																																																																												
0	7011	O																																																																												
DRN H. PORTER	DATE 11-30-64																																																																													
CHK'D N. PERRYMAN	DATE 12-1-64																																																																													
ENG R. SORENSEN	DATE 12-1-64																																																																													
PROD	DATE																																																																													
TRANSISTOR & DIODE CONVERSION CHART																																																																														
DEC	EIA	DFT	EIA																																																																											
DEC6B	NONE	D662	1N645																																																																											
DEC3009B	2N3009																																																																													
2N1305B	NONE																																																																													
D003	1N994																																																																													
TITLE 2 BIT DAC A604																																																																														
SIZE B	CODE CS	NUMBER A604-0-1	REV N																																																																											
PRINTED CIRCUIT REV			FH																																																																											

DEC FORM NO DRB 102

PINx Dist. 11/11/64