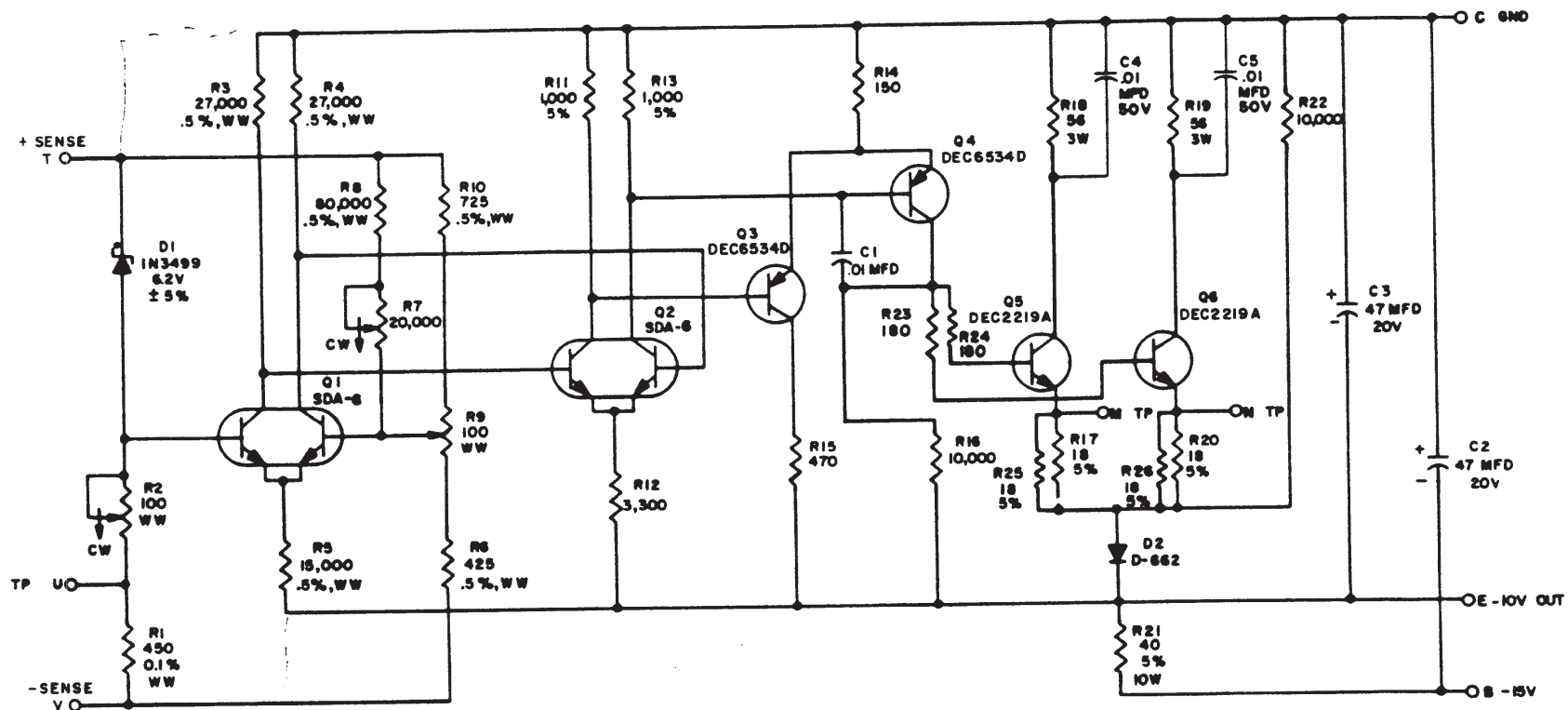


DEC 6534



UNLESS OTHERWISE INDICATED:
 RESISTORS ARE 1/4W; 10%
 R10, R6 AND R1 ARE DAVEN 3PPM TYPE 1195
 R3, R4, R5 AND R8 ARE DAVEN 20 PPM TYPE 1283
 R2, R9 ARE 50 PPM DAYSTRUM TRANSITRIM
 R7 IS A #275P

#10 E-V
 GND C-T

SDA-6 15-01858
 IN 3499 11-01535
 1# 753-SUB 11-02421

A704 Reference Supply