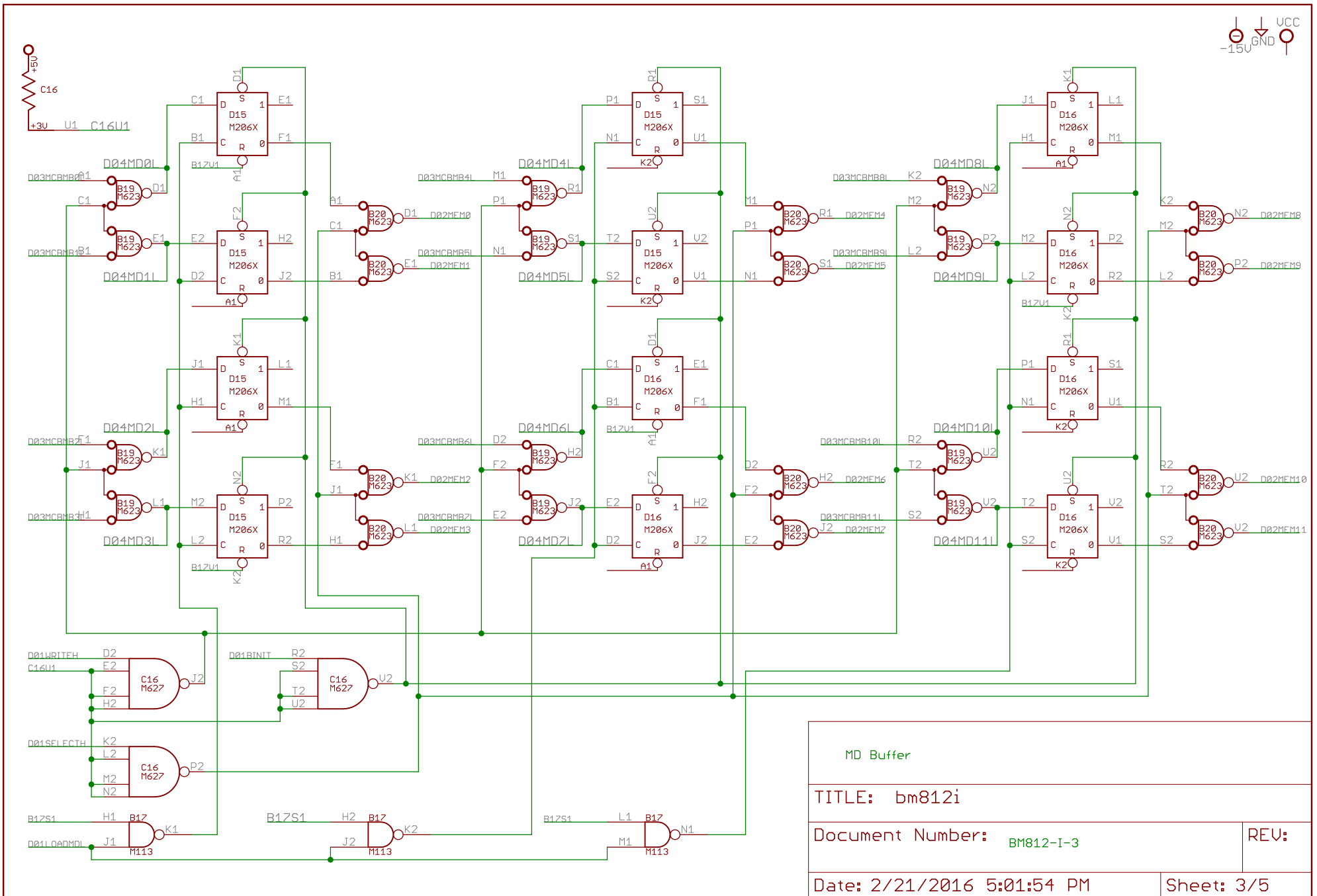
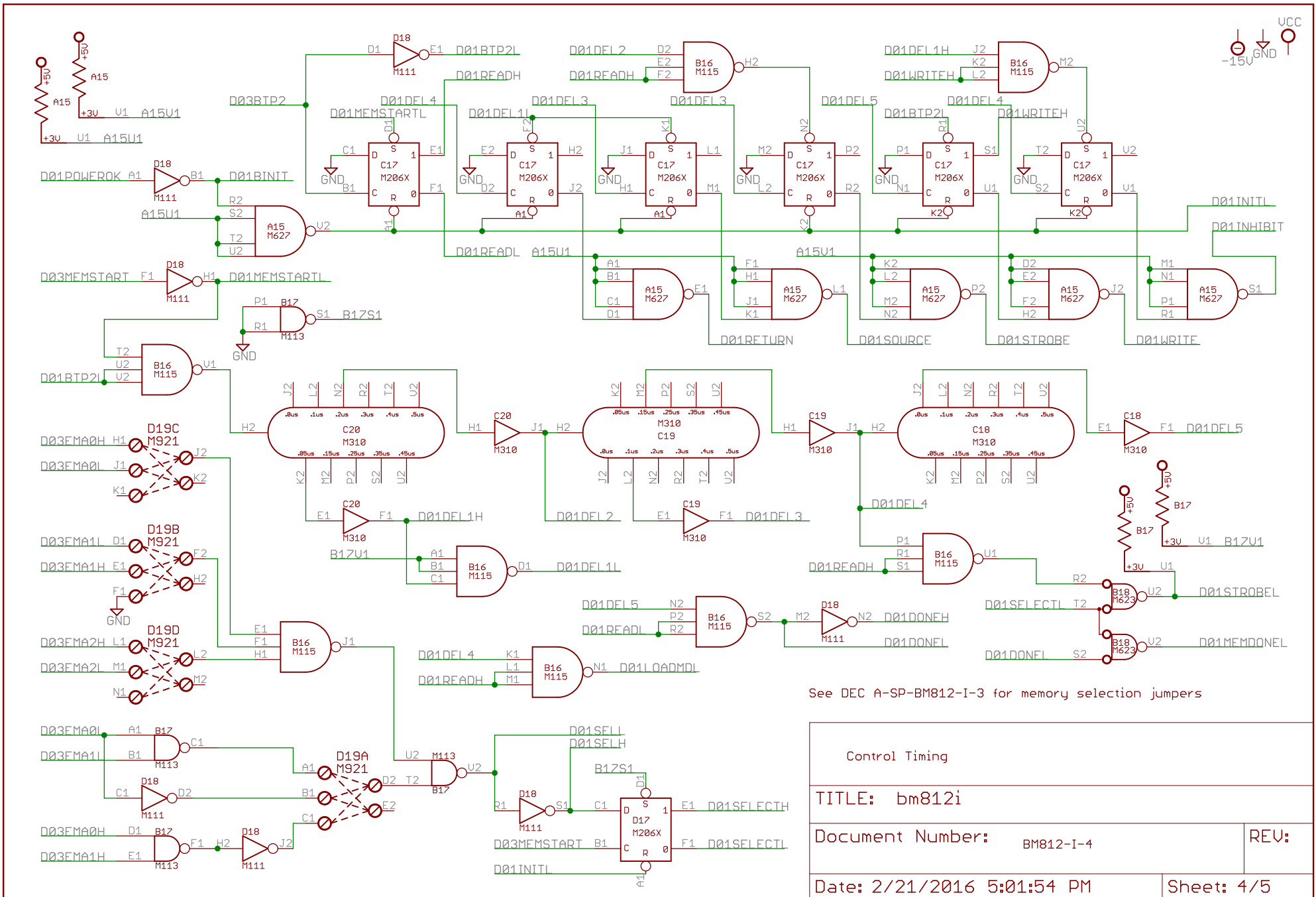


Memory Bus Cables and Buffers	
TITLE: bm812i	
Document Number:	BM812-I-1
Date: 2/21/2016 5:01:54 PM	REV: 1/5





See DEC A-SP-BM812-I-3 for memory selection jumpers

Control Timing	
TITLE: bm812i	
Document Number: BM812-I-4	REV:
Date: 2/21/2016 5:01:54 PM	Sheet: 4/5



Unused Slot: D20

Omnibus Memory Connectors	
TITLE: bm812i	
Document Number: BM812-I-5	REV:
Date: 2/21/2016 5:01:54 PM	Sheet: 5/5