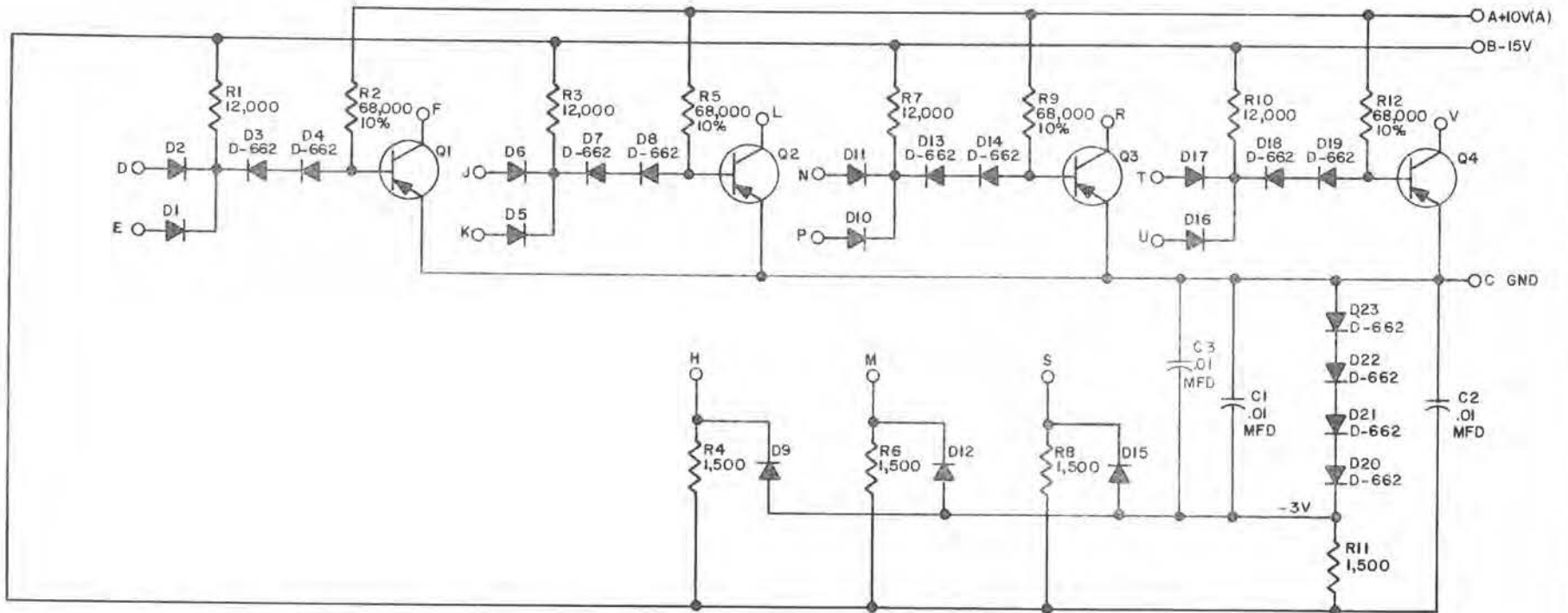


RS-B-B113-2



UNLESS OTHERWISE INDICATED:
 RESISTORS ARE 1/4W; 5%
 TRANSISTORS ARE DEC2894-1B
 DIODES ARE D-664

TRANSISTOR & DIODE CONVERSION CHART			
DEC	EIA	DEC	EIA
DEC-2894-1B	NONE		
D662	IN645		
D664	IN3606		

NOTES

THIS SCHEMATIC IS FURNISHED ONLY FOR TEST AND MAINTENANCE PURPOSES. THE CIRCUITS ARE PROPRIETARY IN NATURE AND SHOULD BE TREATED ACCORDINGLY.
 COPYRIGHT 1964 BY DIGITAL EQUIPMENT CORPORATION

< A V Q - 2 - U J Z L W A - D >		
B	RS-B-B113	2
DIODE GATE B113		