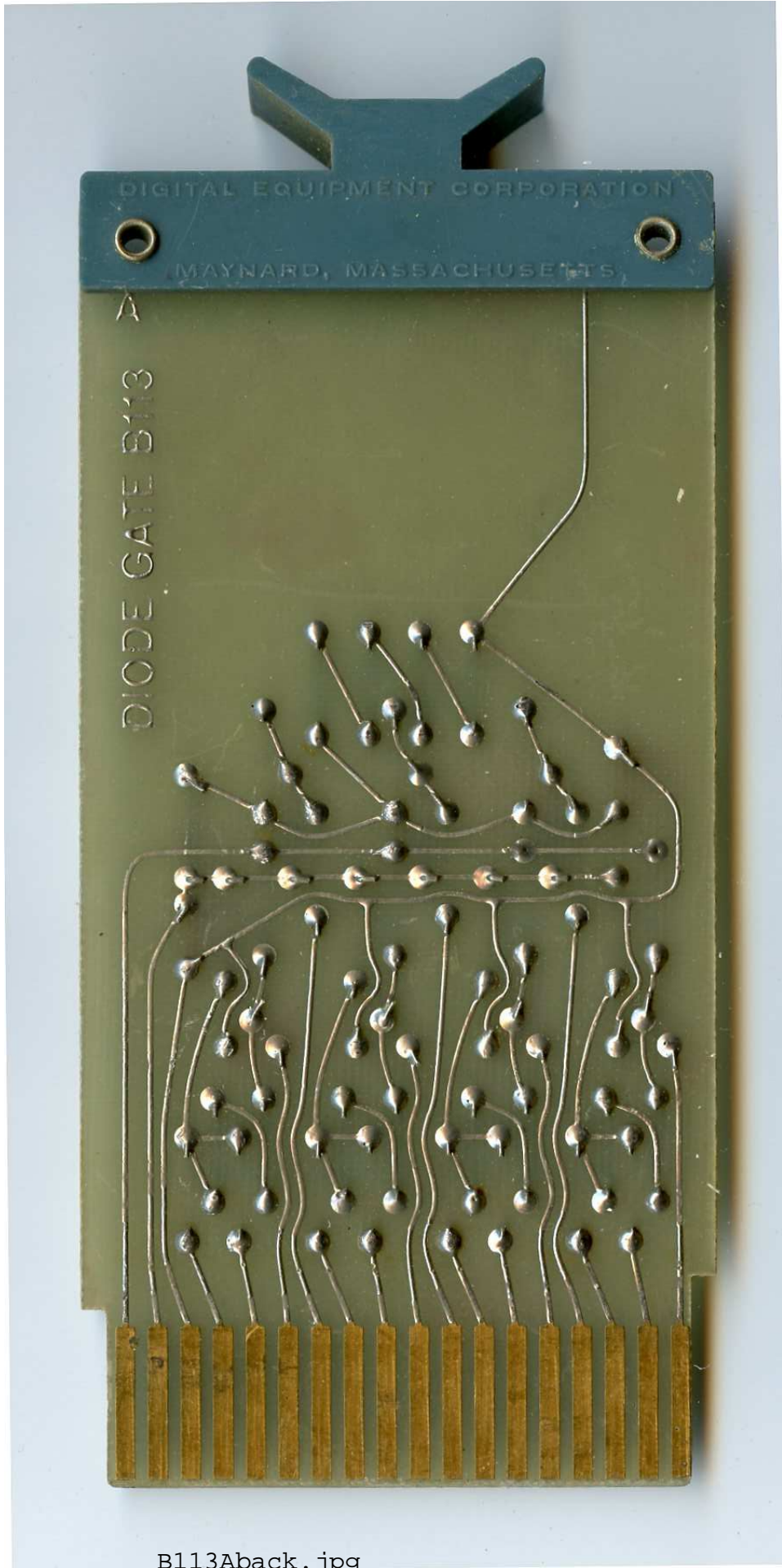
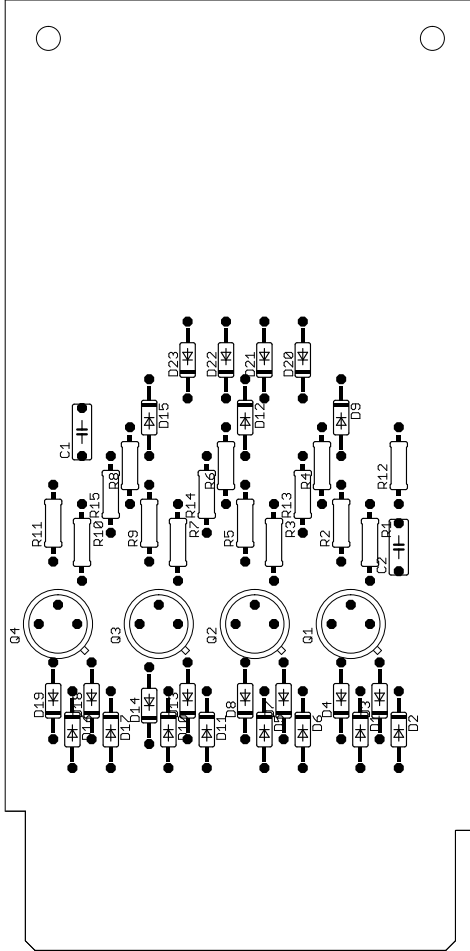


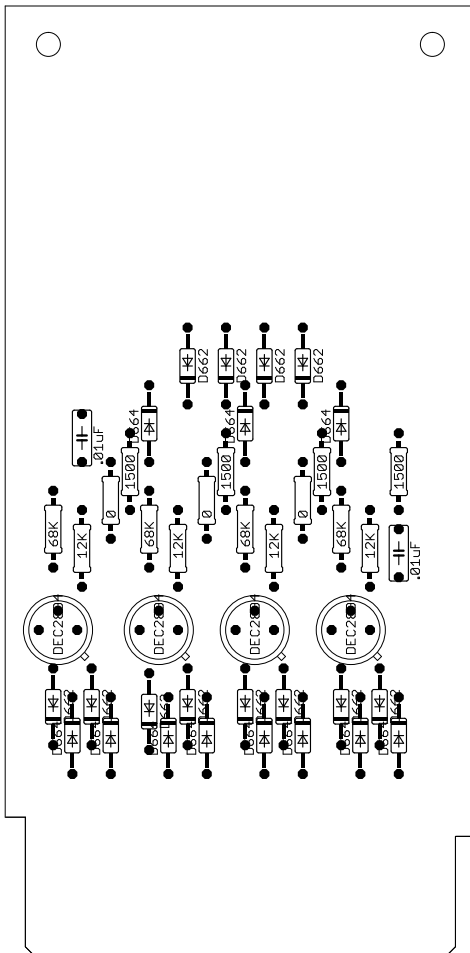
B113Afront.jpg



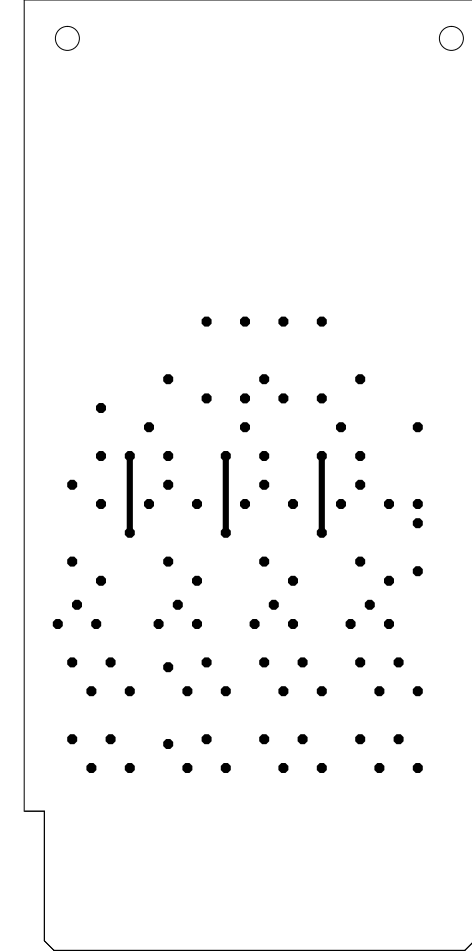
B113Aback.jpg



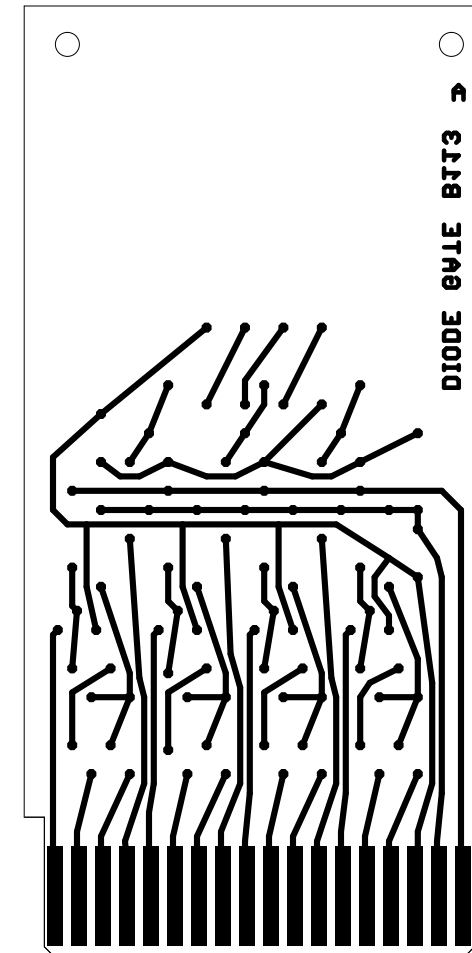
Component Names



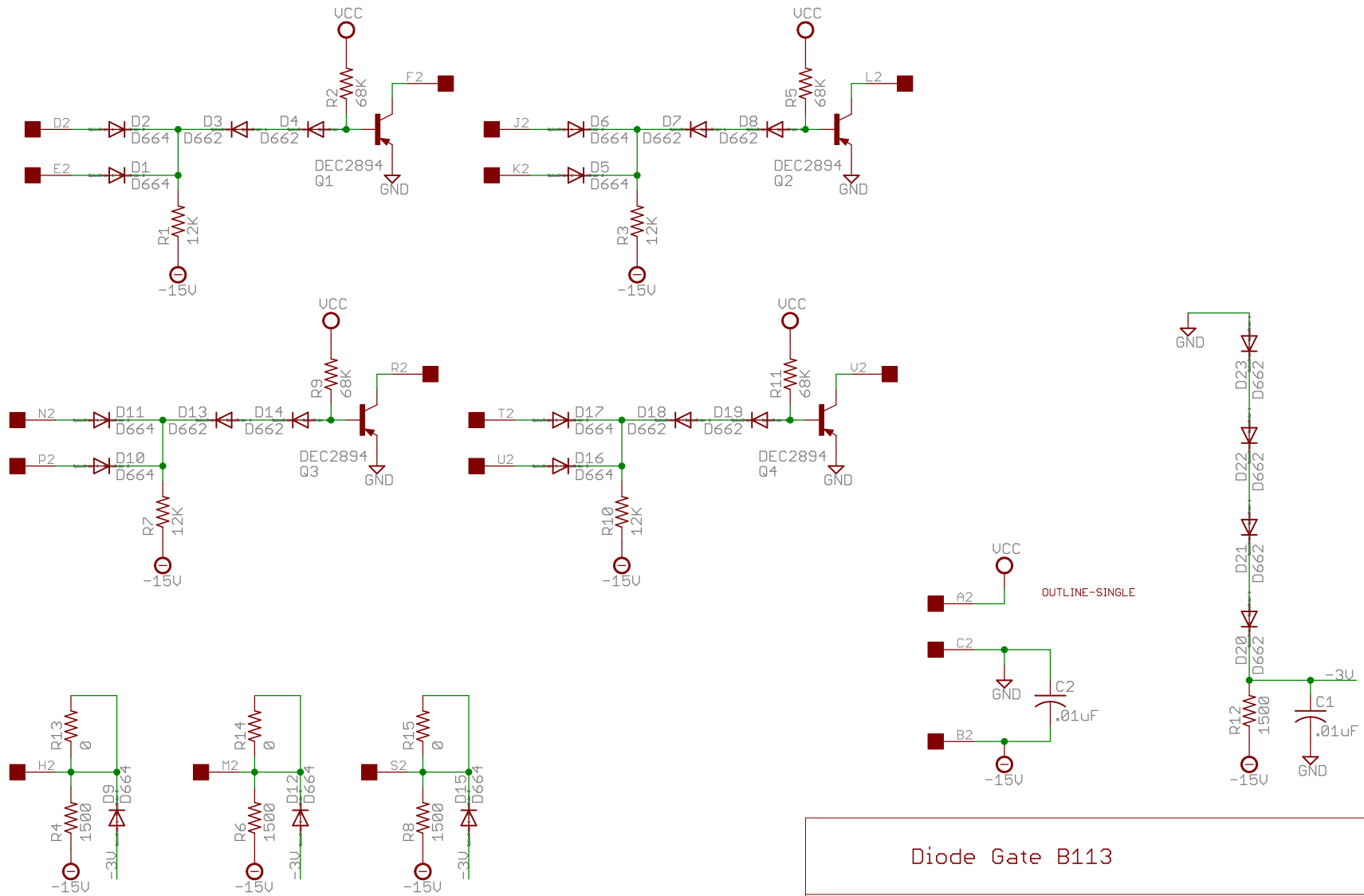
Component Values



Component Side Etch



Solder Side Etch



Diode Gate B113

TITLE: B113A

Document Number:
B-CS-B113-0-1

REV:
D

Date: 8/14/2017 11:48:10 AM

Sheet: 1/1