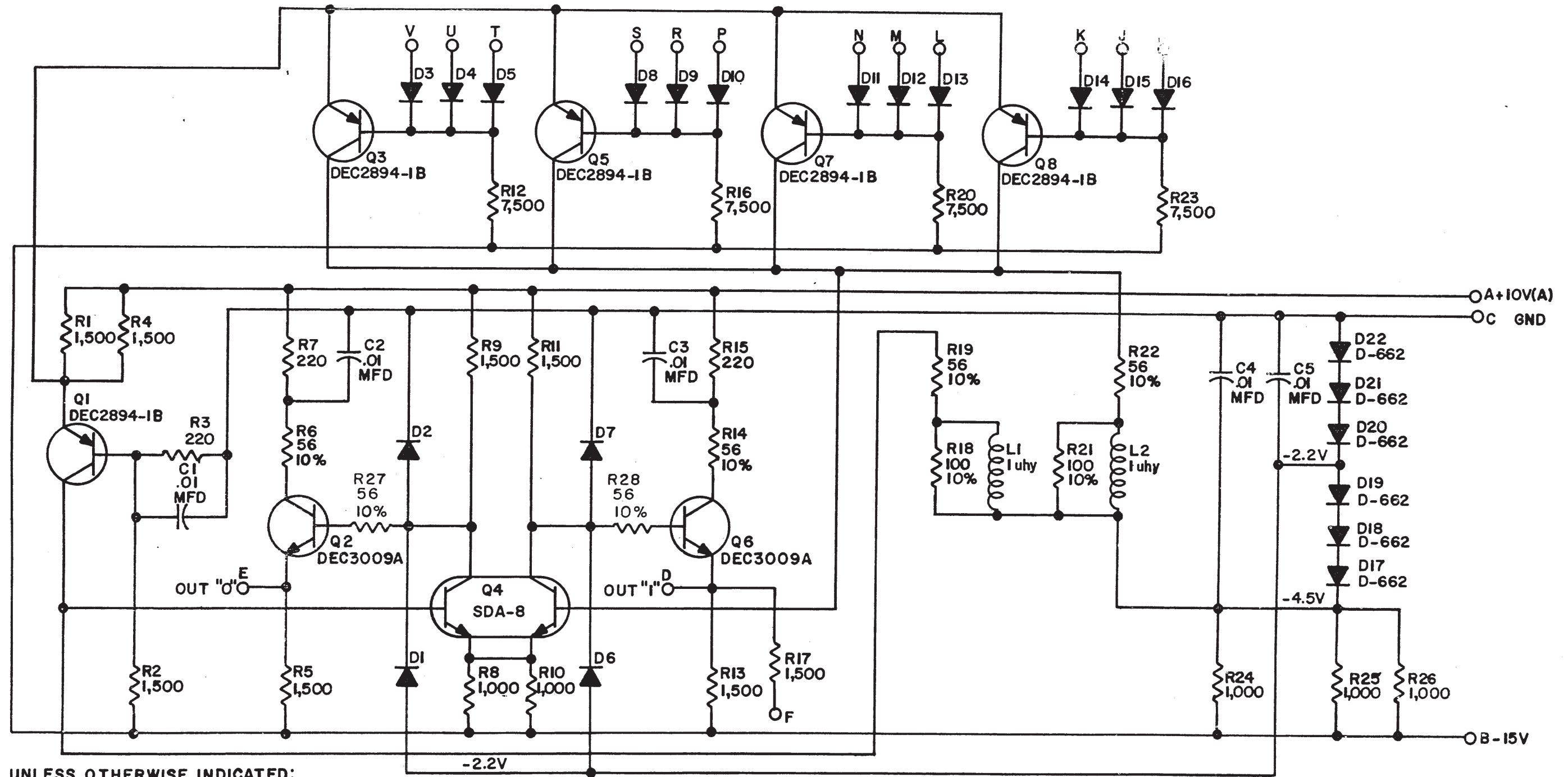


THIS SCHEMATIC IS FURNISHED ONLY FOR TEST AND MAINTENANCE PURPOSES. THE CIRCUITS ARE PROPRIETARY IN NATURE AND SHOULD BE TREATED ACCORDINGLY. COPYRIGHT 1964 BY DIGITAL EQUIPMENT CORPORATION



UNLESS OTHERWISE INDICATED:  
 RESISTORS ARE 1/4 W, 5%  
 DIODES ARE D664

PARTS LIST A-PL-B130-0-0

REVISIONS	CHK	CHG NO.	REV.
			A
			B

DRN. H.W. PORTER	DATE 11-19-64
CHK'D N. PERRYMAN	DATE 12-3-64
ENG. R. DOANE	DATE 12-3-64
PROD.	DATE

TRANSISTOR & DIODE CONVERSION CHART	
DEC	EIA
DEC2894-1B	NONE
SDA-8	NONE
DEC3009A	2N3009
D662	1N645
D664	1N36C6

<b>digital</b>	
EQUIPMENT CORPORATION	
MAYNARD, MASSACHUSETTS	

TITLE 3 BIT PARITY CIRCUIT B130			
SIZE B	CODE CS	NUMBER B130-0-1	REV. B
PRINTED CIRCUIT REV.			B