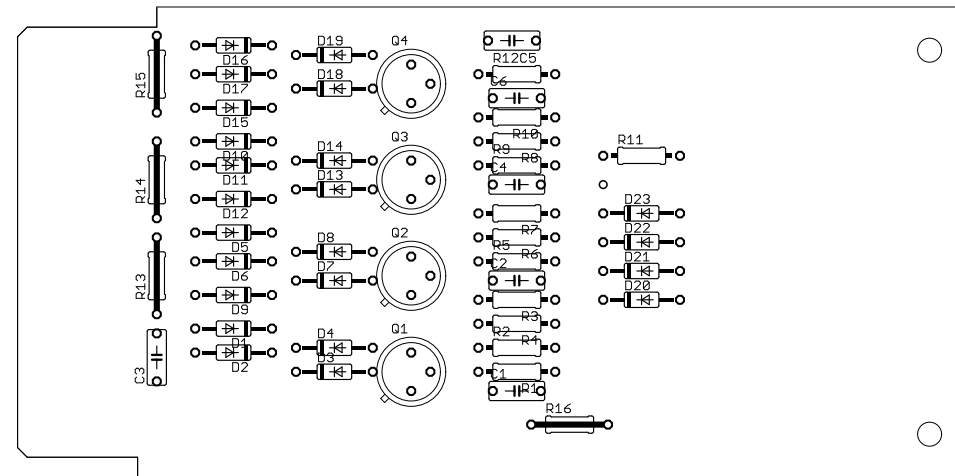


Component Side:



Solder Side:

