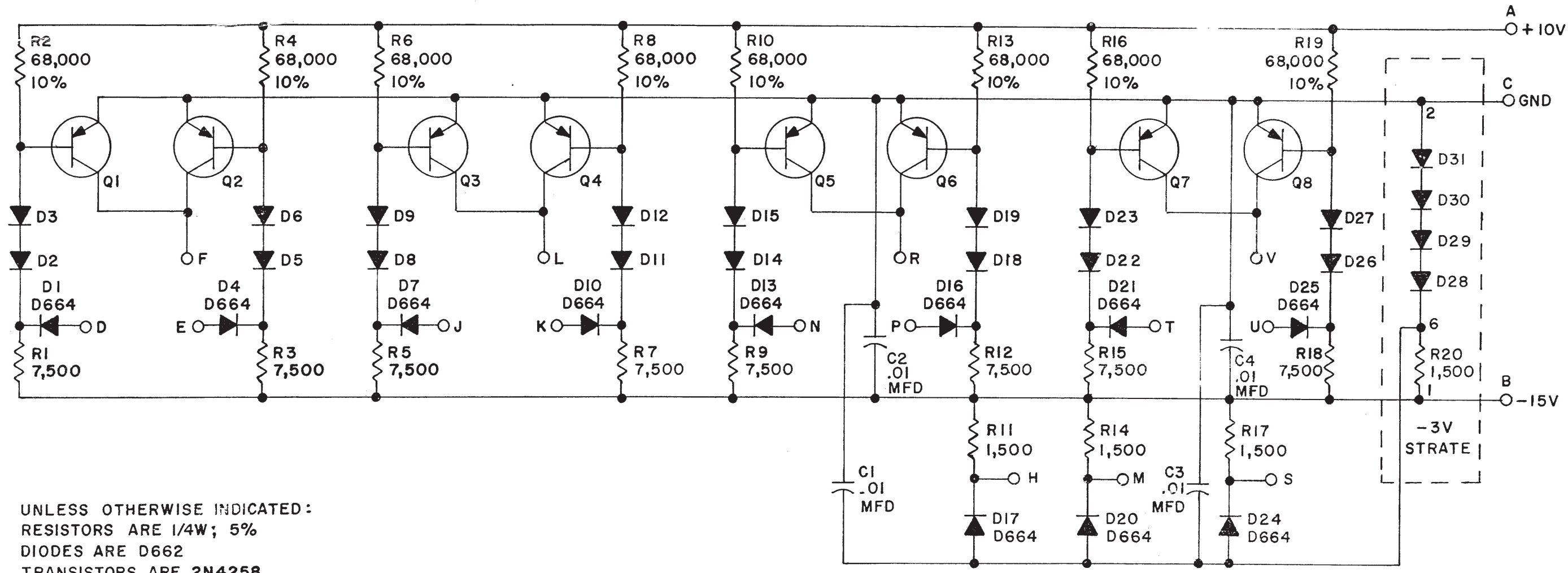


THIS SCHEMATIC IS FURNISHED ONLY FOR TEST AND MAINTENANCE PURPOSES. THE CIRCUITS ARE PROPRIETARY IN NATURE AND SHOULD BE TREATED ACCORDINGLY. COPYRIGHT 1966 BY DIGITAL EQUIPMENT CORPORATION



UNLESS OTHERWISE INDICATED:  
 RESISTORS ARE 1/4W; 5%  
 DIODES ARE D662  
 TRANSISTORS ARE 2N4258

-----  
 < A B C D E F G H I J K L M N O P Q R S T U V W X Y Z >

REVISIONS	CHK	CHG NO.	REV.
		5916	A

DRN.	M. Haller	DATE	10-19-66
CHK'D	R. Salomonson	DATE	11-1-66
ENG.	Allan Kent	DATE	21 Oct 66
PROD.	1	DATE	

TRANSISTOR & DIODE CONVERSION CHART			
DEC	EIA	DEC	EIA
2N4258	2N4258		
D662	1N645		
D664	1N3606		

**digital**  
 EQUIPMENT CORPORATION  
 MAYNARD, MASSACHUSETTS

TITLE				DIODE GATE B134			
SIZE	CODE	NUMBER		REV.			
B	CS	B134-0-1		A			
PRINTED CIRCUIT REV.				B			