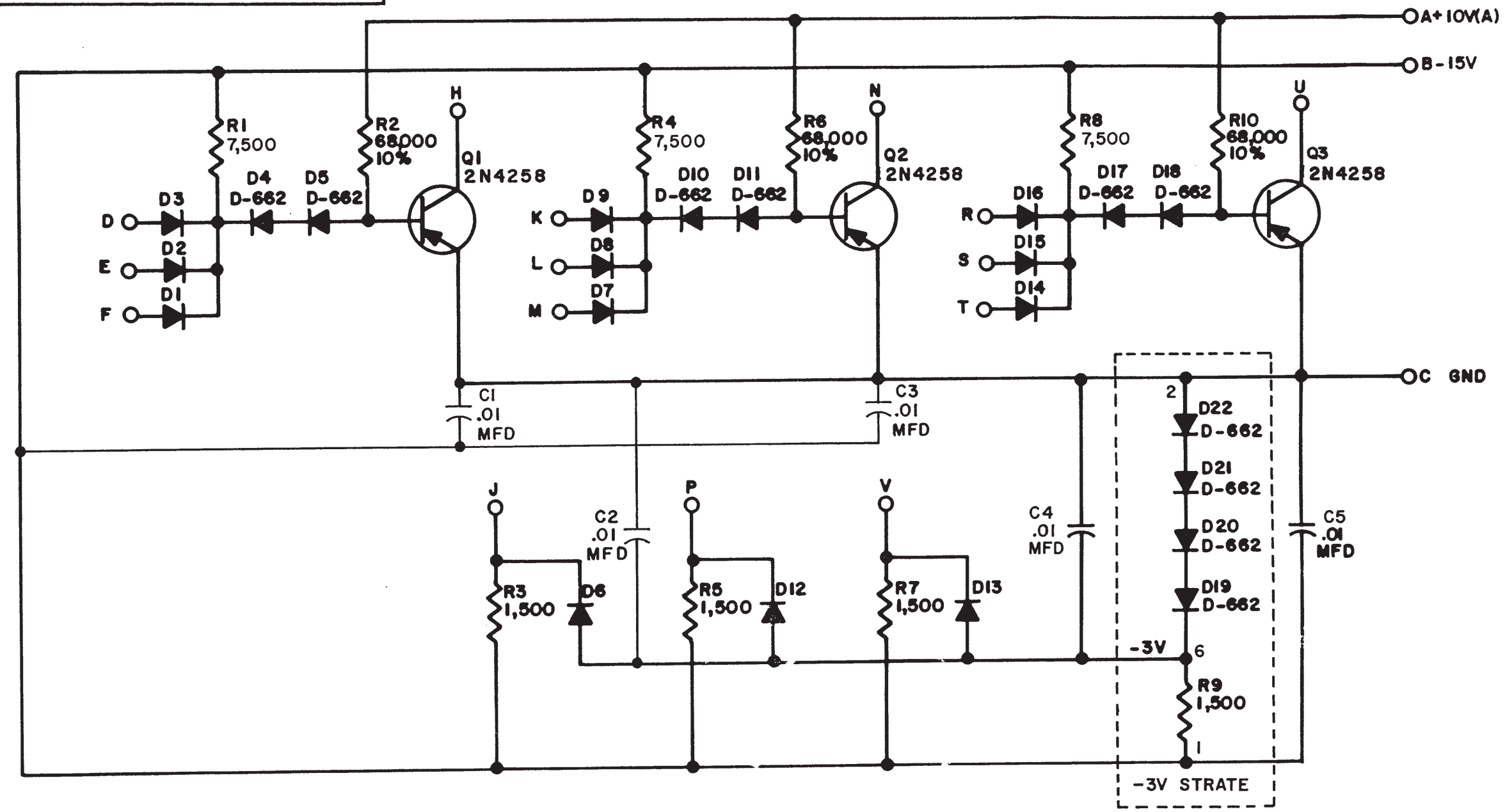


THIS SCHEMATIC IS FURNISHED ONLY FOR TEST AND MAINTENANCE PURPOSES. THE CIRCUITS ARE PROPRIETARY IN NATURE AND SHOULD BE TREATED ACCORDINGLY. COPYRIGHT 1966 BY DIGITAL EQUIPMENT CORPORATION



UNLESS OTHERWISE INDICATED:  
RESISTORS ARE 1/4W; 5%  
DIODES ARE D-664

USE THE ETCH BOARD OF THE B115

REVISIONS CHK CHG NO. REV. 5662 A 5917 B	DRN <i>[Signature]</i> DATE 9/1/66	TRANSISTOR & DIODE CONVERSION CHART				digital EQUIPMENT CORPORATION MAYNARD, MASSACHUSETTS	TITLE DIODE GATE B135			
	CHK'D <i>[Signature]</i> DATE 9/2/66	DEC 2N4258 EIA 2N4258	DEC D662 EIA IN645	DEC D664 EIA IN3606	DEC EIA		SIZE B	CODE CS	NUMBER B135-0-1	REV. B
	ENG. D.A. Connor DATE 9/6/66	PROD. DATE	EQUIPMENT CORPORATION MAYNARD, MASSACHUSETTS				PRINTED CIRCUIT REV.	C	[ ] [ ] [ ] [ ] [ ] [ ] [ ] [ ] [ ] [ ]	
	PROD. DATE	PROD. DATE	EQUIPMENT CORPORATION MAYNARD, MASSACHUSETTS				PRINTED CIRCUIT REV.	C	[ ] [ ] [ ] [ ] [ ] [ ] [ ] [ ] [ ] [ ]	