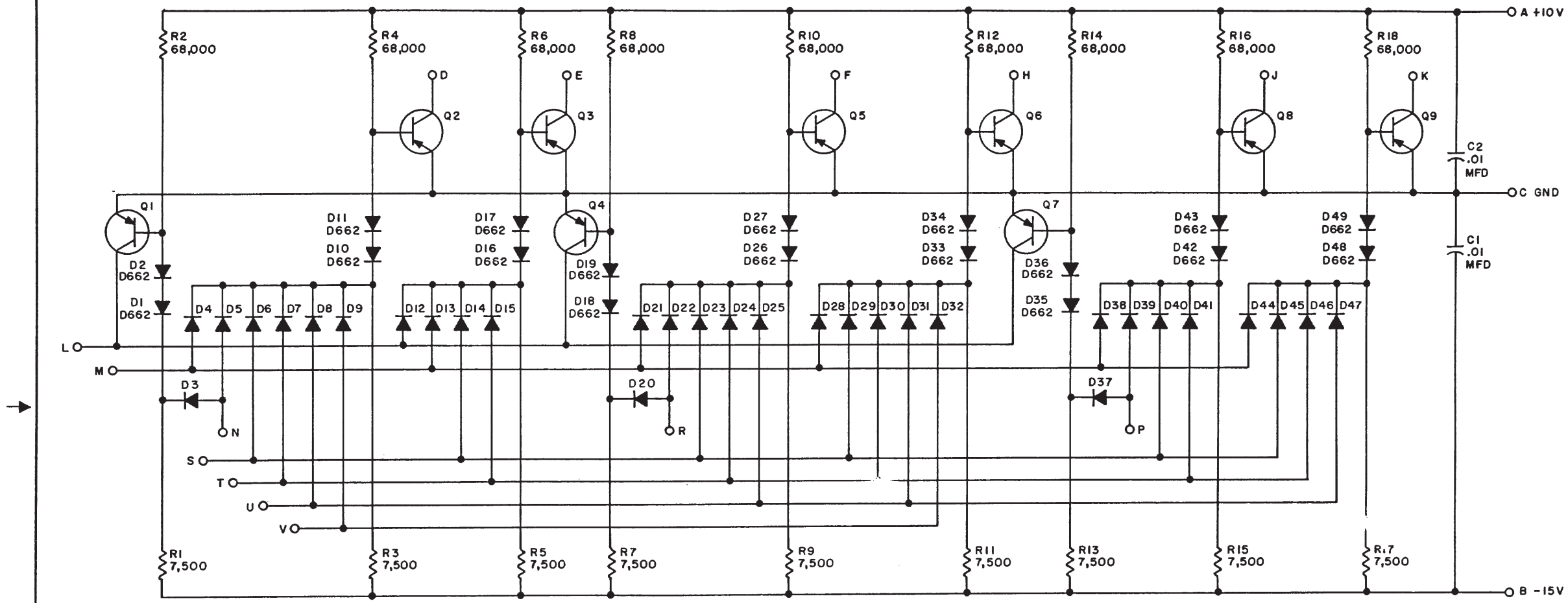


THIS SCHEMATIC IS FURNISHED ONLY FOR TEST AND MAINTENANCE PURPOSES. THE CIRCUITS ARE PROPRIETARY IN NATURE AND SHOULD BE TREATED ACCORDINGLY. COPYRIGHT 1967 BY DIGITAL EQUIPMENT CORPORATION



UNLESS OTHERWISE INDICATED:
 TRANSISTORS ARE 2N4258
 RESISTORS ARE 1/4W, 5%
 DIODES ARE D664

 4 5 6 7 8 9 10 11 12 13 14 15 16 17 18 19 20 21 22 23 24 25 26 27 28 29 30 31 32 33 34 35 36 37 38 39 40 41 42 43 44 45 46 47 48 49 50

| | | | | | | | | | | | | | |
|-------------------------------|------------------------------|--|-----------------|--|-------------------------------------|--------|-----|-----|-----------------------------|------|------|----------|------|
| REVISIONS CHK CHG NO. REV. | DRN. <i>M. Waller</i> | | DATE 3-30-67 | | TRANSISTOR & DIODE CONVERSION CHART | | | | TITLE COUNTING GATE B166 | | | | |
| | CHK'D. <i>[Signature]</i> | | DATE 3/31/67 | | DEC | EIA | DEC | EIA | digital | SIZE | CODE | NUMBER | REV. |
| | ENG. <i>[Signature]</i> | | DATE 3-31-67 | | 2N4258 | 2N4258 | | | EQUIPMENT CORPORATION | C | CS | B166-0-1 | |
| | PROD. | | DATE | | D662 | IN645 | | | MAYNARD, MASSACHUSETTS | | | | |
| | | | | | D664 | IN3806 | | | PRINTED CIRCUIT REV. | A | | | |

REV. NUMBER B166-0-1