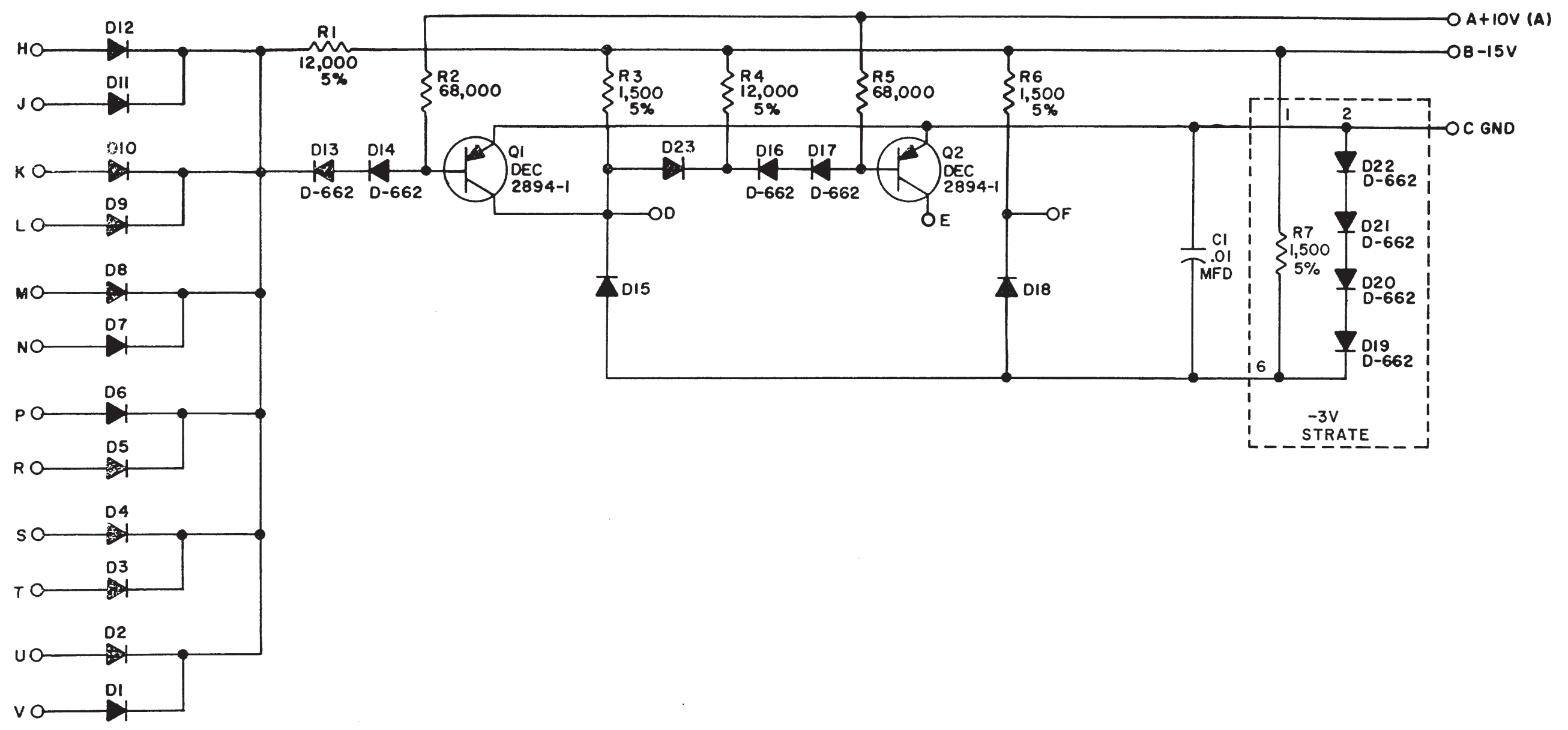


THIS SCHEMATIC IS FURNISHED ONLY FOR TEST AND MAINTENANCE PURPOSES. THE CIRCUITS ARE PROPRIETARY IN NATURE AND SHOULD BE TREATED ACCORDINGLY. COPYRIGHT 1964 BY DIGITAL EQUIPMENT CORPORATION



UNLESS OTHERWISE INDICATED;
 RESISTORS ARE 1/4W; 10%
 CAPACITORS ARE MMFD
 DIODES ARE D-664



REVISIONS CHK CHG NO REV REV 8 REDR. 5389 C	DRN. A. OUELLETTE	DATE 6-24-64	TRANSISTOR & DIODE CONVERSION CHART				digital EQUIPMENT CORPORATION MAYNARD, MASSACHUSETTS	TITLE DIODE GATE B171			
	CHK'D N. PERRYMAN	DATE 6-25-64	DEC	EIA	DEC	EIA		SIZE B	CODE CS	NUMBER B171-0-1	REV. C
	ENG. R. BANK	DATE 6-25-64	DEC2894-1	NONE				PRINTED CIRCUIT REV. C			
	PROD. I	DATE	D662	IN645							
			D664	IN3606							