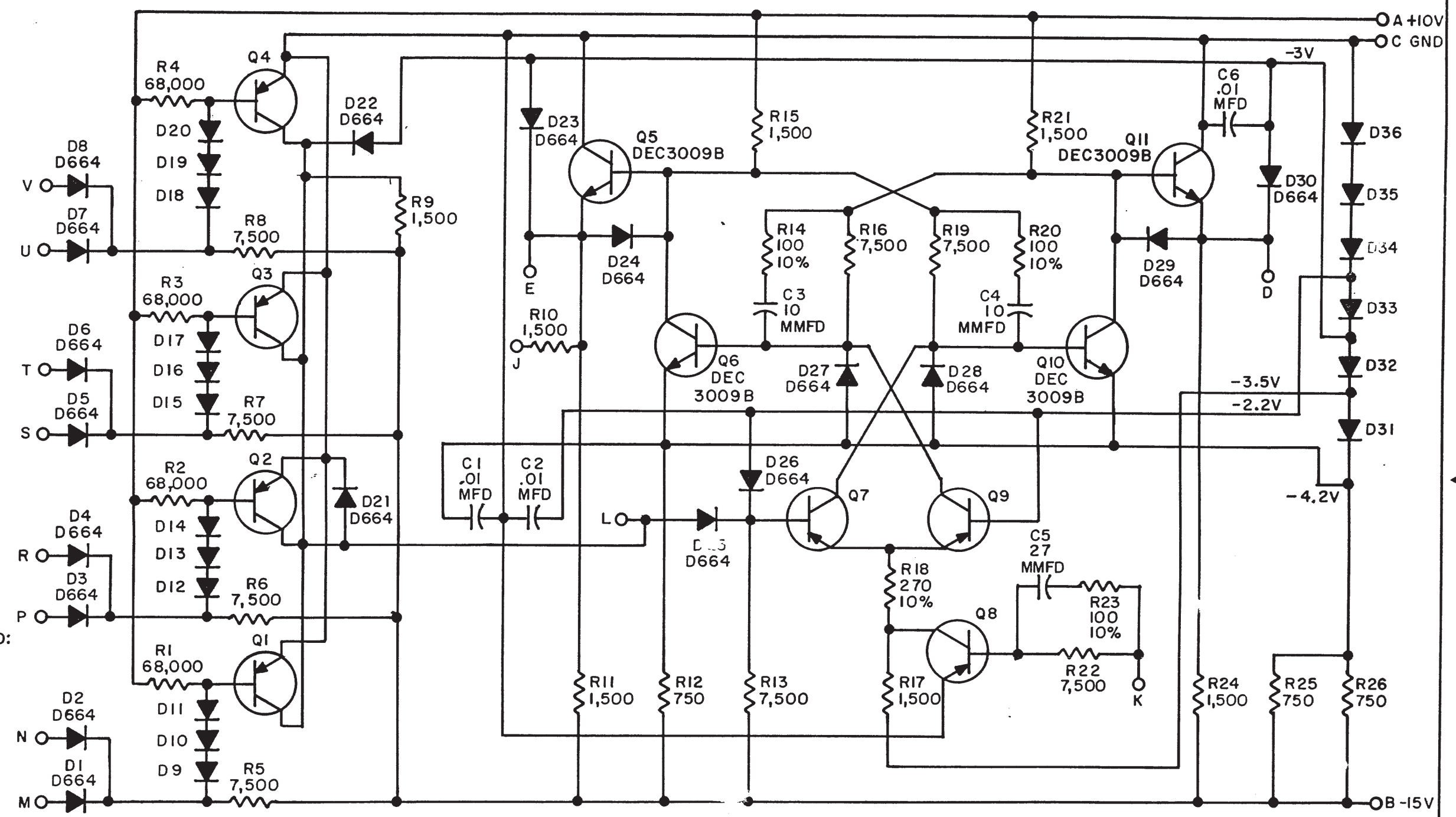


THIS SCHEMATIC IS FURNISHED ONLY FOR TEST AND MAINTENANCE PURPOSES. THE CIRCUITS ARE PROPRIETARY IN NATURE AND SHOULD BE TREATED ACCORDINGLY. COPYRIGHT 1965 BY DIGITAL EQUIPMENT CORPORATION



UNLESS OTHERWISE INDICATED:  
 TRANSISTORS ARE 2N4258  
 DIODES ARE D662  
 RESISTORS ARE 1/4 W, 5%



REV. NO.	CHK	CHG	NO.	REV.
B			6149	
C			6295	
D			6448	
E				
F				
H				

DRN. I. HAHN	DATE 3-19-65
CHK'D N. PERRYMAN	DATE 3-31-65
ENG. TOM HUGHES	DATE
PROD.	DATE

TRANSISTOR & DIODE CONVERSION CHART	
DEC	EIA
2N4258	SAME
DEC3009B	2N3009
D662	IN645
D664	IN3606

**digital**  
 EQUIPMENT CORPORATION  
 MAYNARD, MASSACHUSETTS

TITLE FLIP-FLOP B211			
SIZE B	CODE CS	NUMBER B211-0-1	REV. H
PRINTED CIRCUIT REV.			E