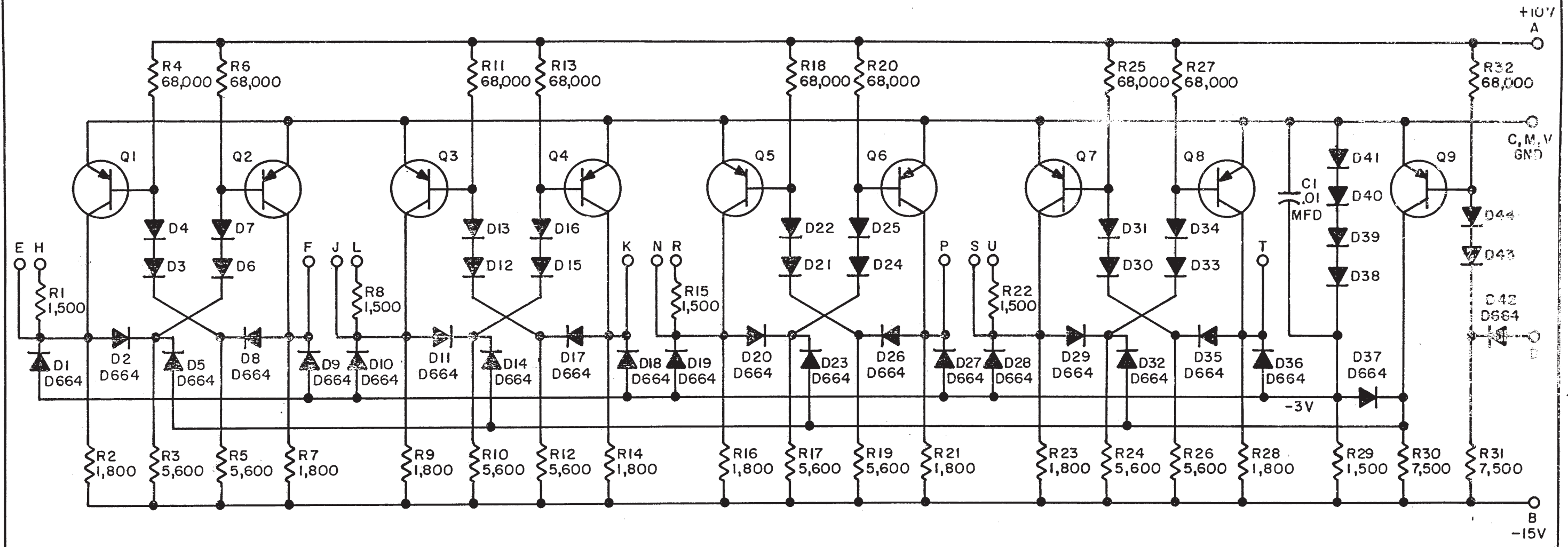


THIS SCHEMATIC IS FURNISHED ONLY FOR TEST AND MAINTENANCE PURPOSES. THE CIRCUITS ARE PROPRIETARY IN NATURE AND SHOULD BE TREATED ACCORDINGLY. COPYRIGHT 1967 BY DIGITAL EQUIPMENT CORPORATION



UNLESS OTHERWISE INDICATED:  
 RESISTORS ARE 1/4W, 5%  
 DIODES ARE D662  
 TRANSISTORS ARE 2N4258



REVISIONS CHK CHG NO. REV.	DRN. <i>M. Haller</i>	DATE 6-5-67	TRANSISTOR & DIODE CONVERSION CHART				EQUIPMENT CORPORATION MAYNARD, MASSACHUSETTS	TITLE FOUR FLIP-FLOPS B214			
	CHK'D	DATE	DEC	EIA	DEC	EIA		SIZE	CODE	NUMBER	REV.
	ENG. <i>R. Williams</i>	DATE 6/7/67	2N4258	SAME				B	CS	B214-0-1	
	PROD.	DATE	D662	IN645				PRINTED CIRCUIT REV. A			
			D664	IN3606							