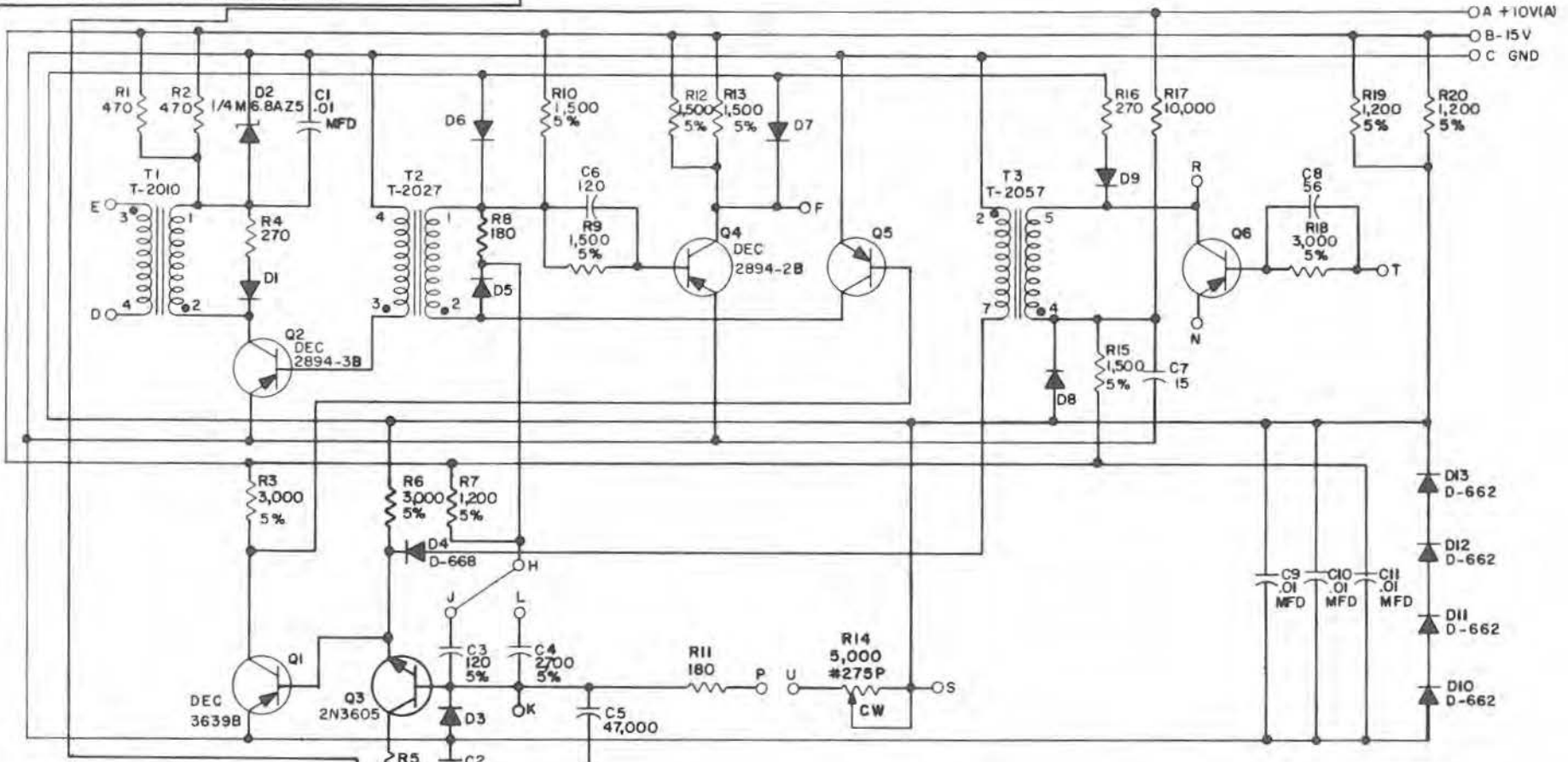


THIS SCHEMATIC IS FURNISHED ONLY FOR TEST AND MAINTENANCE PURPOSES. THE CIRCUITS ARE PROPRIETARY IN NATURE AND SHOULD BE TREATED ACCORDINGLY. COPYRIGHT 1964 BY DIGITAL EQUIPMENT CORPORATION



UNLESS OTHERWISE INDICATED:
 RESISTORS ARE 1/4W; 10%
 CAPACITORS ARE MMFD
 TRANSISTORS ARE DEC2894-1B
 DIODES ARE D-664
 *2 (TWO) IN3606 IN SERIES

REVISIONS	CHK	CHG	NO	REV
	DAW	5147		5
	REV	REDR		
	5433	F		
	5888	H		

DRN	PAUL TELLIER	DATE	6-16-64
CHK'D	N. PERRYMAN	DATE	6-23-64
ENG	E. CHEVRIER	DATE	6-23-64
PROD		DATE	

TRANSISTOR & DIODE CONVERSION CHART			
DEC	EIA	DEC	EIA
DEC2894-1B	NONE	1/4M6.8AZ5	1N4099
DEC2894-2B	NONE	D-662	1N645
DEC2894-3B	NONE	D-664	1N3606
2N3605	SAME	D-668	D-668*
DEC 3639B	NONE		

digital
 EQUIPMENT CORPORATION
 MAYNARD, MASSACHUSETTS

TITLE			
ONE SHOT DELAY B301			
SIZE	CODE	NUMBER	REV
B	CS	B301-0-1	H
PRINTED CIRCUIT REV			C