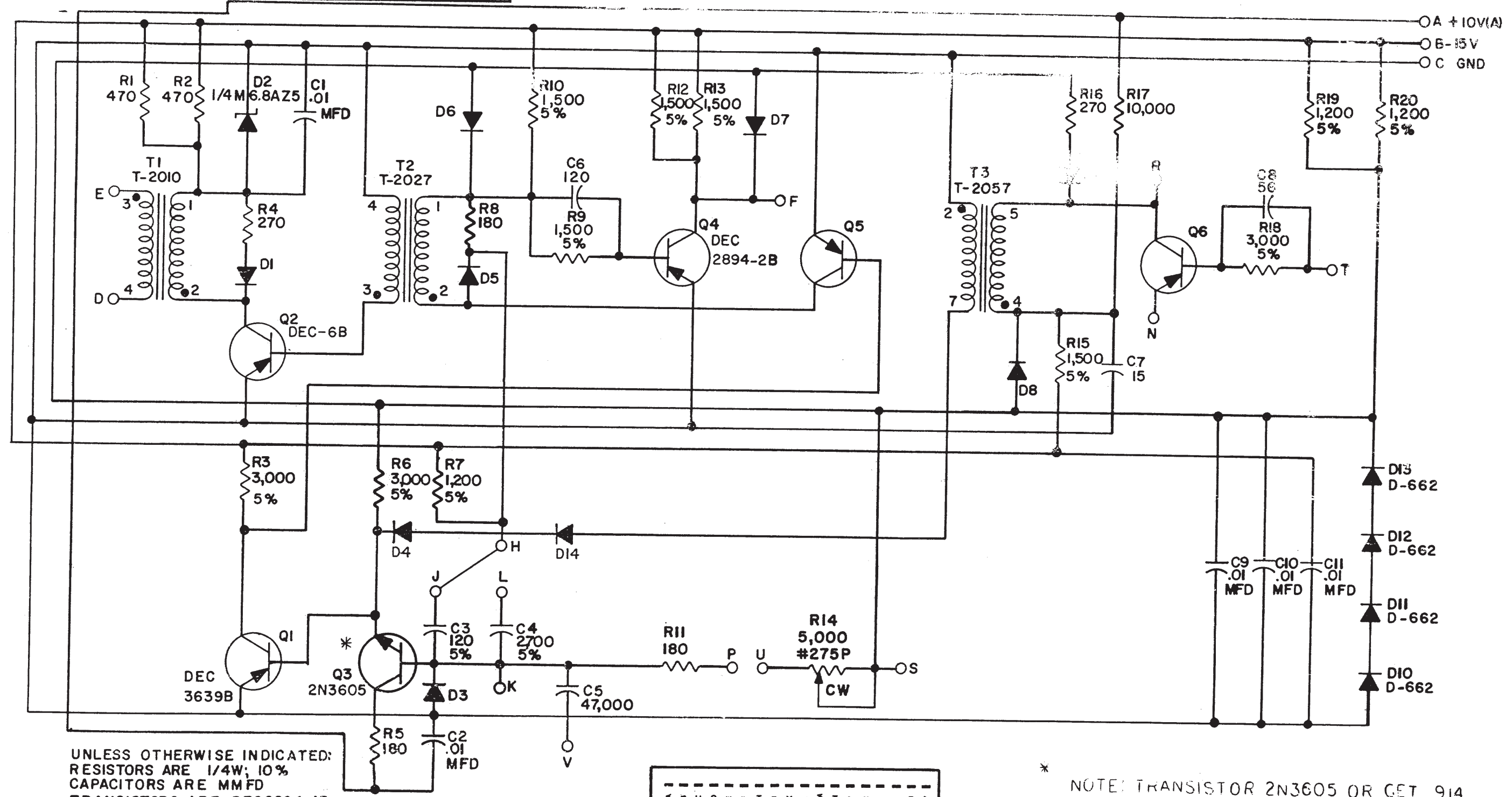


THIS SCHEMATIC IS FURNISHED ONLY FOR TEST AND MAINTENANCE PURPOSES. THE CIRCUITS ARE PROPRIETARY IN NATURE AND SHOULD BE TREATED ACCORDINGLY. COPYRIGHT 1964 BY DIGITAL EQUIPMENT CORPORATION

REV. NUMBER SIZE CODE



UNLESS OTHERWISE INDICATED:
RESISTORS ARE 1/4W; 10%
CAPACITORS ARE MMFD
TRANSISTORS ARE DEC2894-1B
DIODES ARE D-664

PARTS LIST A-PL-B301-0-0

* NOTE: TRANSISTOR 2N3605 OR GET 914

REV.	CHG NO.	REV.
B	5147	DAW
F	5433	REV. & REDR.
H	5898	
J	7106	
K	7141	
	00001	

DRN. PAUL TELLIER	DATE 6-16-64
CHK'D N. PERRYMAN	DATE 6-23-64
ENG. E. CHEVRIER	DATE 6-23-64
PROD.	DATE

TRANSISTOR & DIODE CONVERSION CHART			
DEC	EIA	DEC	EIA
DEC2894-1B	NONE	1/4M6.8AZ5	IN4099
DEC2894-2B	NONE	D-662	IN645
DEC-6B	NONE	D-664	IN3606
2N3605	SAME		
DEC 3639B	NONE		

digital
EQUIPMENT CORPORATION
MAYNARD, MASSACHUSETTS

TITLE ONE SHOT DELAY B301			
SIZE B	CODE CS	NUMBER B301-0-1	REV.
PRINTED CIRCUIT REV.			D