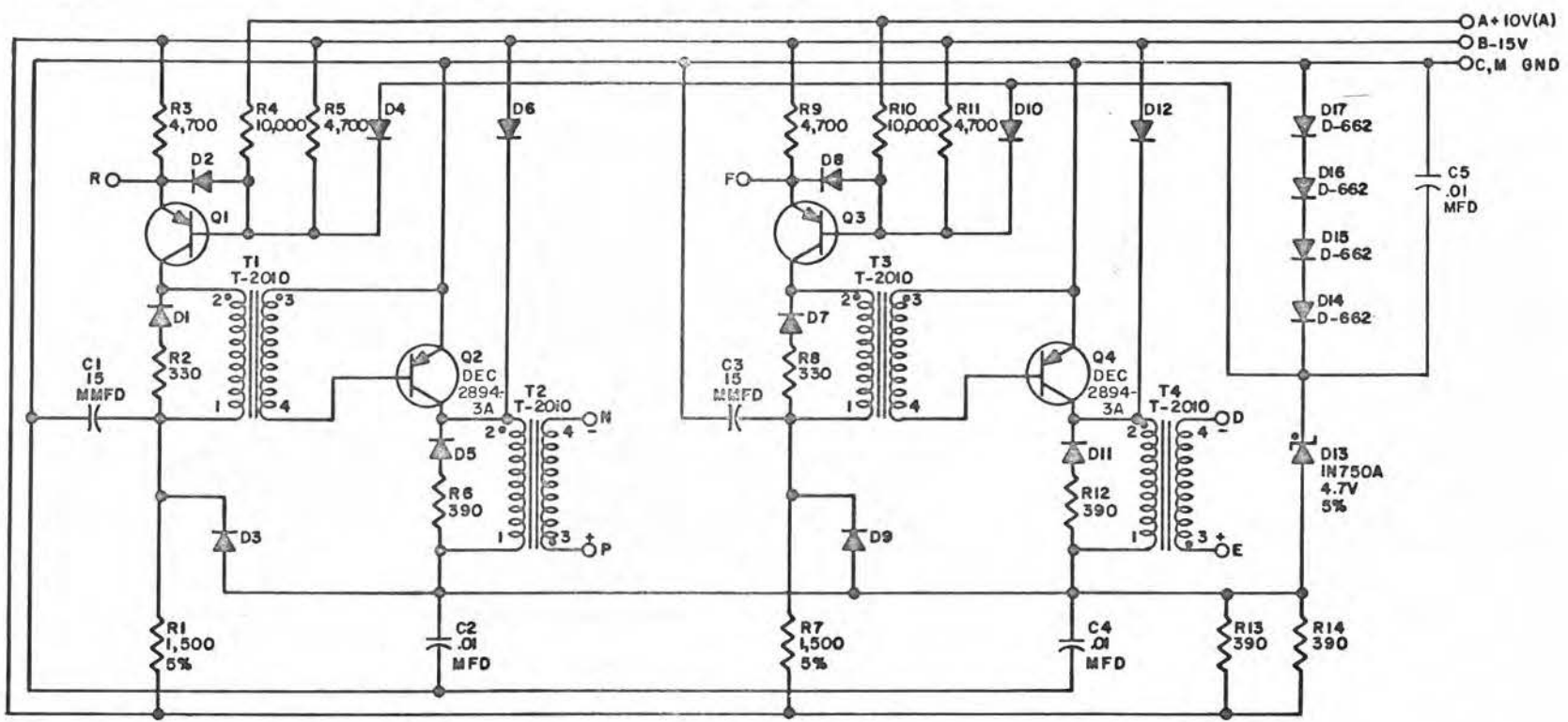


REV. C  
 NUMBER B602-0-1  
 SIZE B  
 CODE CS  
 REV. C

THIS SCHEMATIC IS FURNISHED ONLY FOR TEST AND MAINTENANCE PURPOSES. THE CIRCUITS ARE PROPRIETARY IN NATURE AND SHOULD BE TREATED ACCORDINGLY. COPYRIGHT 1964 BY DIGITAL EQUIPMENT CORPORATION



UNLESS OTHERWISE INDICATED:  
 RESISTORS ARE 1/4W; 10%  
 TRANSISTORS ARE DEC2894-3B  
 DIODES ARE D-664

PARTS LIST A-PL-B602-0-0

REVISIONS CHK/CHG NO/REV	CHK'D N. PERRYMAN	DRN. H. PORTER	DATE 5-14-64	TRANSISTOR & DIODE CONVERSION CHART				TITLE 10Mc PULSE AMPLIFIER B602
		ENG. R. DOANE	DATE 5-18-64	DEC	EIA	DEC	EIA	
REV. B REDR. 5391 B	REV. C 6884 C	PROD.	DATE	DEC 2894-3A	NONE			SIZE B
				D662	IN645			CODE CS
				D664	IN3606			NUMBER B602-0-1
				IN750A	SAME			REV. C
				DEC2894-3B	NONE			PRINTED CIRCUIT REV. B

**digital**  
 EQUIPMENT CORPORATION  
 MAYNARD, MASSACHUSETTS

Des: 129 4:19 4:55