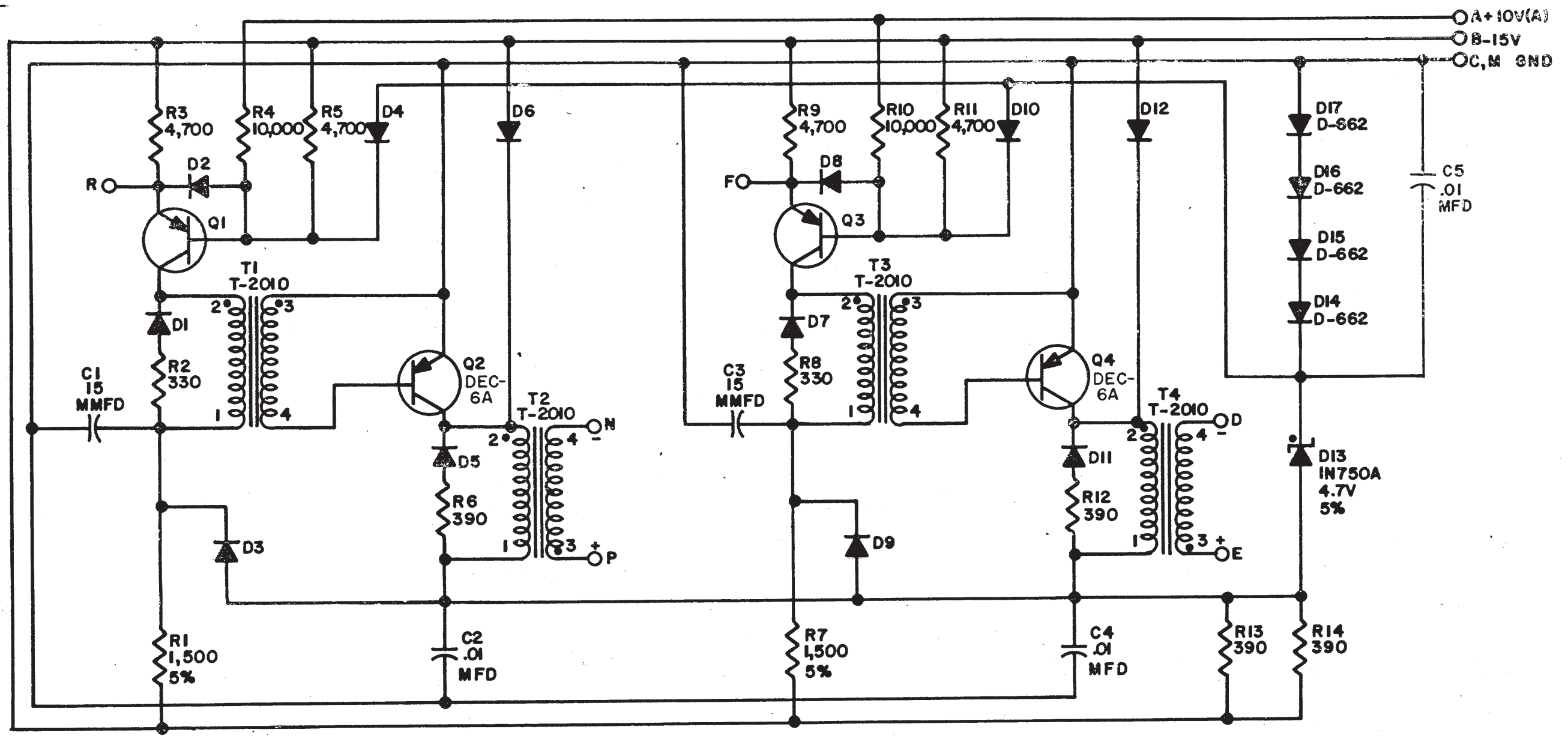


THIS SCHEMATIC IS FURNISHED ONLY FOR TEST AND MAINTENANCE PURPOSES. THE CIRCUITS ARE PROPRIETARY IN NATURE AND SHOULD BE TREATED ACCORDINGLY. COPYRIGHT 1964 BY DIGITAL EQUIPMENT CORPORATION



UNLESS OTHERWISE INDICATED:
RESISTORS ARE 1/4W; 10%
TRANSISTORS ARE DEC-6B
DIODES ARE D-664



PARTS LIST A-PL-B602-0-0

REVISIONS CHK CHG NO. REV. REV. & REDR. 5391 B 6884 C 7045 D	DRN. H. PORTER	DATE 5-14-64	TRANSISTOR & DIODE CONVERSION CHART		digital EQUIPMENT CORPORATION MAYNARD, MASSACHUSETTS	TITLE 10 Mc PULSE AMPLIFIER B602			
	CHK'D N. PERRYMAN	DATE 5-18-64	DEC	EIA		SIZE B	CODE CS	NUMBER B602-0-1	REV. D
	ENG. R. DOANE	DATE 5-18-64	DEC-6B	NONE					
	PROD.	DATE	D662	IN645					
			D664	IN3606					
			IN750A	SAME					
			DEC-6A	NONE					