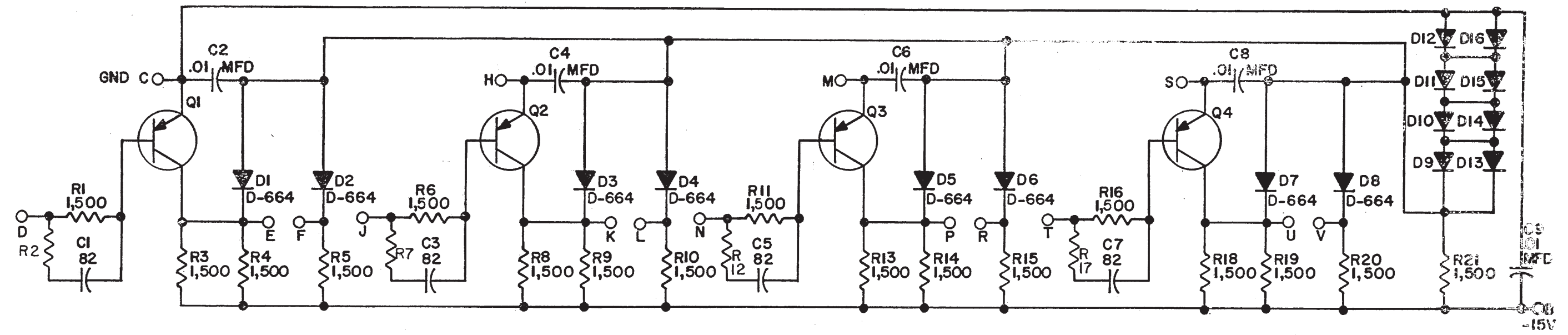
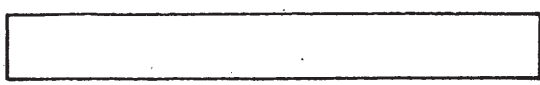


THIS SCHEMATIC IS FURNISHED ONLY FOR TEST AND MAINTENANCE PURPOSES. THE CIRCUITS ARE PROPRIETARY IN NATURE AND SHOULD BE TREATED ACCORDINGLY. COPYRIGHT 1964 BY DIGITAL EQUIPMENT CORPORATION



UNLESS OTHERWISE INDICATED:  
 RESISTORS ARE 1/4W; 5%  
 CAPACITORS ARE MMFD  
 TRANSISTORS ARE DEC2894-2B  
 DIODES ARE D-662  
 RESISTORS ARE 100; 1/4W; 10%



|  |                             |                         |                                     |              |     |     |   |                                     |           |                 |          |
|--|-----------------------------|-------------------------|-------------------------------------|--------------|-----|-----|---|-------------------------------------|-----------|-----------------|----------|
| REVISIONS<br>CHK CHG NO. REV.<br>DAW 6057 I<br>REV & REDR<br>R.D. 5847 B | DRN.<br><b>H.W. PORTER</b>  | DATE<br><b>10-23-64</b> | TRANSISTOR & DIODE CONVERSION CHART |              |     |     | <b>digital</b><br>EQUIPMENT CORPORATION<br>MAYNARD, MASSACHUSETTS | TITLE<br><b>POWER INVERTER B681</b> |           |                 |          |
|  | CHK'D<br><b>N. PERRYMAN</b> | DATE<br><b>11-9-64</b>  | DEC                                 | EIA          | DEC | EIA |   | SIZE                                | CODE      | NUMBER          | REV.     |
|  | ENG.<br><b>R. DOANE</b>     | DATE<br><b>11-9-64</b>  | <b>DEC2894-2B</b>                   | <b>NONE</b>  |     |     |   | <b>B</b>                            | <b>CS</b> | <b>B681-0-1</b> | <b>B</b> |
|  | PROD.                       | DATE                    | <b>D662</b>                         | <b>IN645</b> |     |     |   | PRINTED CIRCUIT REV. <b>B</b>       |           |                 |          |