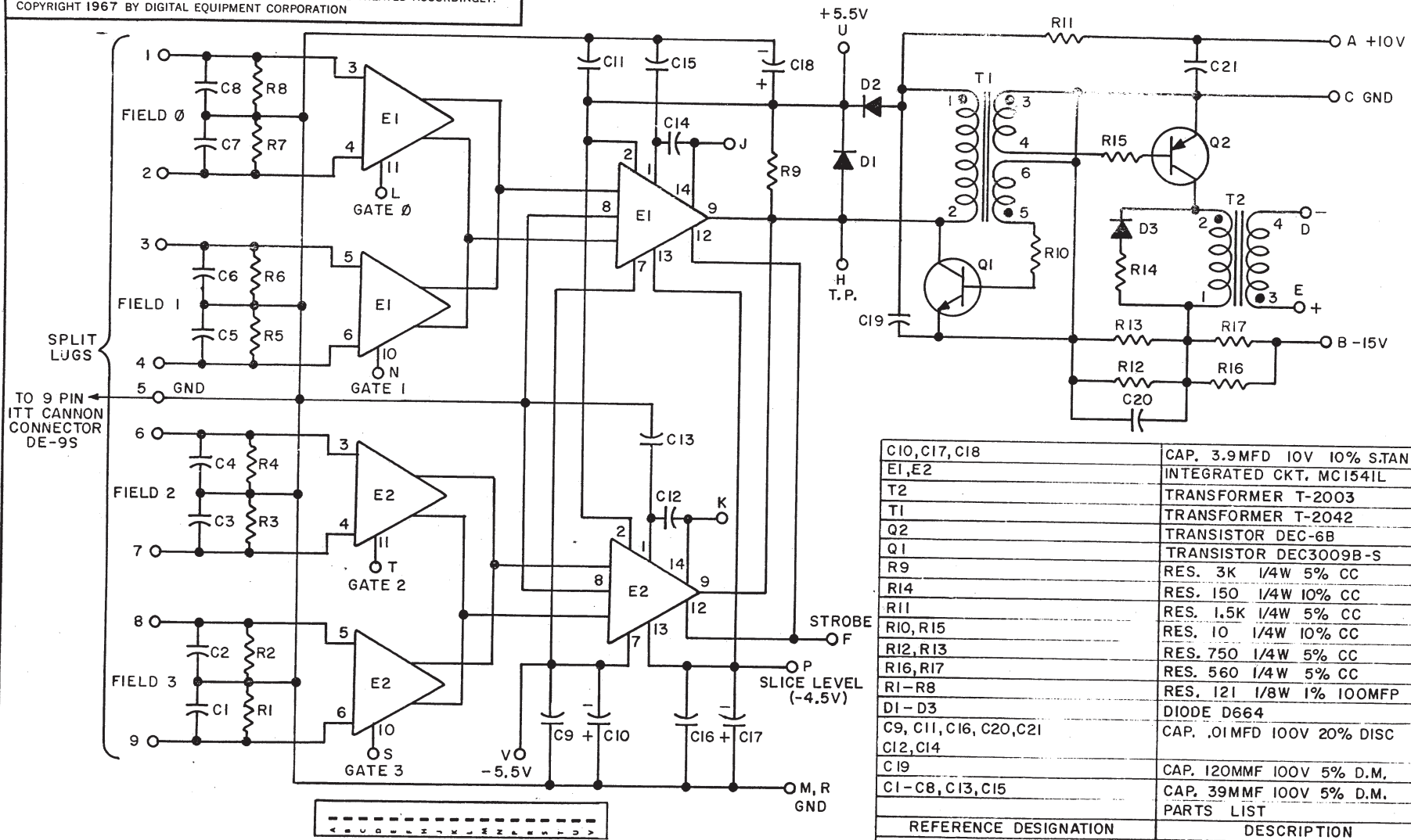


THIS SCHEMATIC IS FURNISHED ONLY FOR TEST AND MAINTENANCE PURPOSES. THE CIRCUITS ARE PROPRIETARY IN NATURE AND SHOULD BE TREATED ACCORDINGLY. COPYRIGHT 1967 BY DIGITAL EQUIPMENT CORPORATION

REV. NUMBER SIZE CODE



REFERENCE DESIGNATION	DESCRIPTION	PART NO.
C10, C17, C18	CAP. 3.9MFD 10V 10% S.TANT	100064
E1, E2	INTEGRATED CKT. MC1541L	1909040
T2	TRANSFORMER T-2003	5200642
T1	TRANSFORMER T-2042	5201616
Q2	TRANSISTOR DEC-6B	1509090-01
Q1	TRANSISTOR DEC3009B-S	1503100
R9	RES. 3K 1/4W 5% CC	1300432
R14	RES. 150 1/4W 10% CC	1300252
R11	RES. 1.5K 1/4W 5% CC	1300391
R10, R15	RES. 10 1/4W 10% CC	1300170
R12, R13	RES. 750 1/4W 5% CC	1301401
R16, R17	RES. 560 1/4W 5% CC	1301890
R1-R8	RES. 121 1/8W 1% 100MFP	1302957
D1-D3	DIODE D664	1100114
C9, C11, C16, C20, C21	CAP. .01MFD 100V 20% DISC	1001610
C12, C14		
C19	CAP. 120MMF 100V 5% D.M.	1000018
C1-C8, C13, C15	CAP. 39MMF 100V 5% D.M.	1000010
PARTS LIST		
REFERENCE DESIGNATION		DESCRIPTION
		PART NO.

REVISIONS	CHK	CHG NO.	REV.
		6940	B
		7117	
		00001	C
		00002	D

DRN.	DATE
M. HALLER	7-10-67
R. SILVERMAN	7-12-67
D.J. CHIN	7-12-67

TRANSISTOR & DIODE CONVERSION CHART	
DEC	EIA
DEC-6B	NONE
DEC3009B	2N3009
D664	IN3606

digital EQUIPMENT CORPORATION
MAYNARD, MASSACHUSETTS

TITLE: **FOUR INPUT SENSE AMP. G022**

SIZE: B CODE: CS NUMBER: G022-0-1 REV. D

PRINTED CIRCUIT REV. E