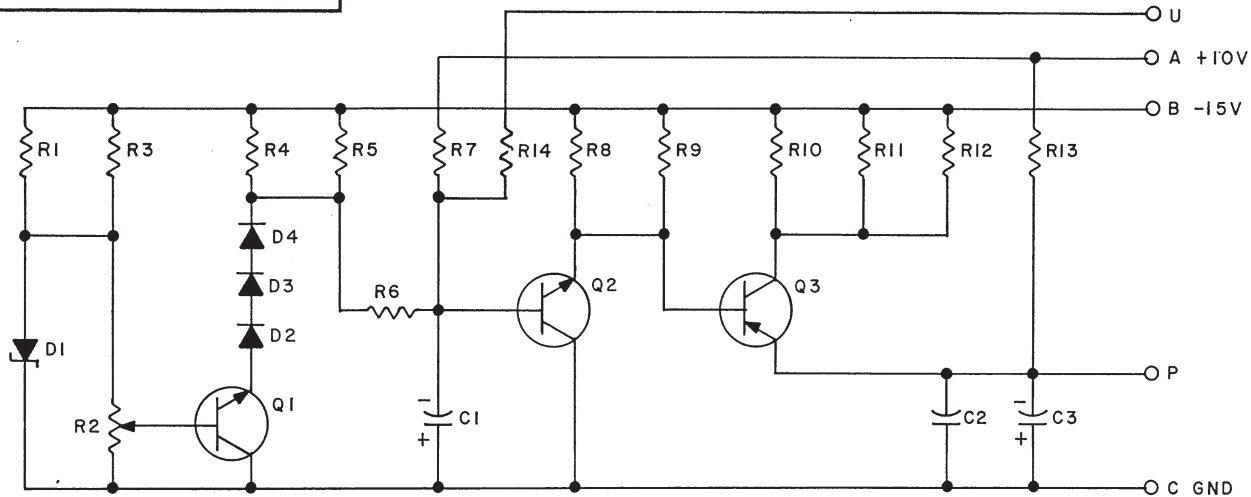


THIS SCHEMATIC IS FURNISHED ONLY FOR TEST AND MAINTENANCE PURPOSES. THE CIRCUITS ARE PROPRIETARY IN NATURE AND SHOULD BE TREATED ACCORDINGLY. COPYRIGHT 1968 BY DIGITAL EQUIPMENT CORPORATION



NOTE:
MOUNT Q3 WITH HEAT SINK COMPOUND

A B C D E F G H I J K L M N O P Q R S T U V W X

R14	RES. 5.11K 1/8W 1% 100MFP	1304854
R8, R9	RES. 1K 1/4W 5% CC	1300365
Q3	TRANSISTOR DEC3790-S	1503399
Q1, Q2	TRANSISTOR 2N2219A-S	1501881
R13	RES. 1.5K 1/4W 5% CC	1300391
R10 - R12	RES. 22 2W 10% CC	1301417
R7	RES. 1.96K 1/8W 1% 100MFP	1304833
R6	RES. 348 1/8W 1% 100MFP	1304858
R2	RES. 1K BOURNS TRIMPOT	1305450
R1, R3 - R5	RES. 750 1/4W 5% CC	1301401
D2, D3, D4	DIODE D662	1100113
D1	DIODE IN756A 8.2V 1/4W	1103441
C3	CAP. 6.8 MFD 35V 20% S.TANT	1000067
C2	CAP. .01MFD 100V 20% DISC	1001610
C1	CAP. 47 MFD 20V 20% S.TANT	1000079

	PARTS LIST	A-PL-6023-0-0
REFERENCE DESIGNATION	DESCRIPTION	PART NO.
PARTS LIST		

REVISIONS	CHK/CHG NO. REV.	DRN. M. HALLER	DATE 7-26-67
	RMS 6865 B	CHK'D R. SILVERMAN	DATE 7-31-67
	REV. R REDR 7119 C	ENG. D. J. CHIN	DATE 7-31-67
	APP. 100001 F	PROD. I	DATE

TRAN: IS	OR & DIODE CONVERSION CHART
DEC	EIA DEC EIA
DEC 2219A	N2219
2N3790	NAME
IN756A	NAME

digital
EQUIPMENT CORPORATION
MAYNARD, MASSACHUSETTS

TITLE: MASTER SLICE CONTROL GO23

SIZE B	CODE CS	NUMBER 6023-0-1	REV. F
PRINTED CIRCUIT REV. F			