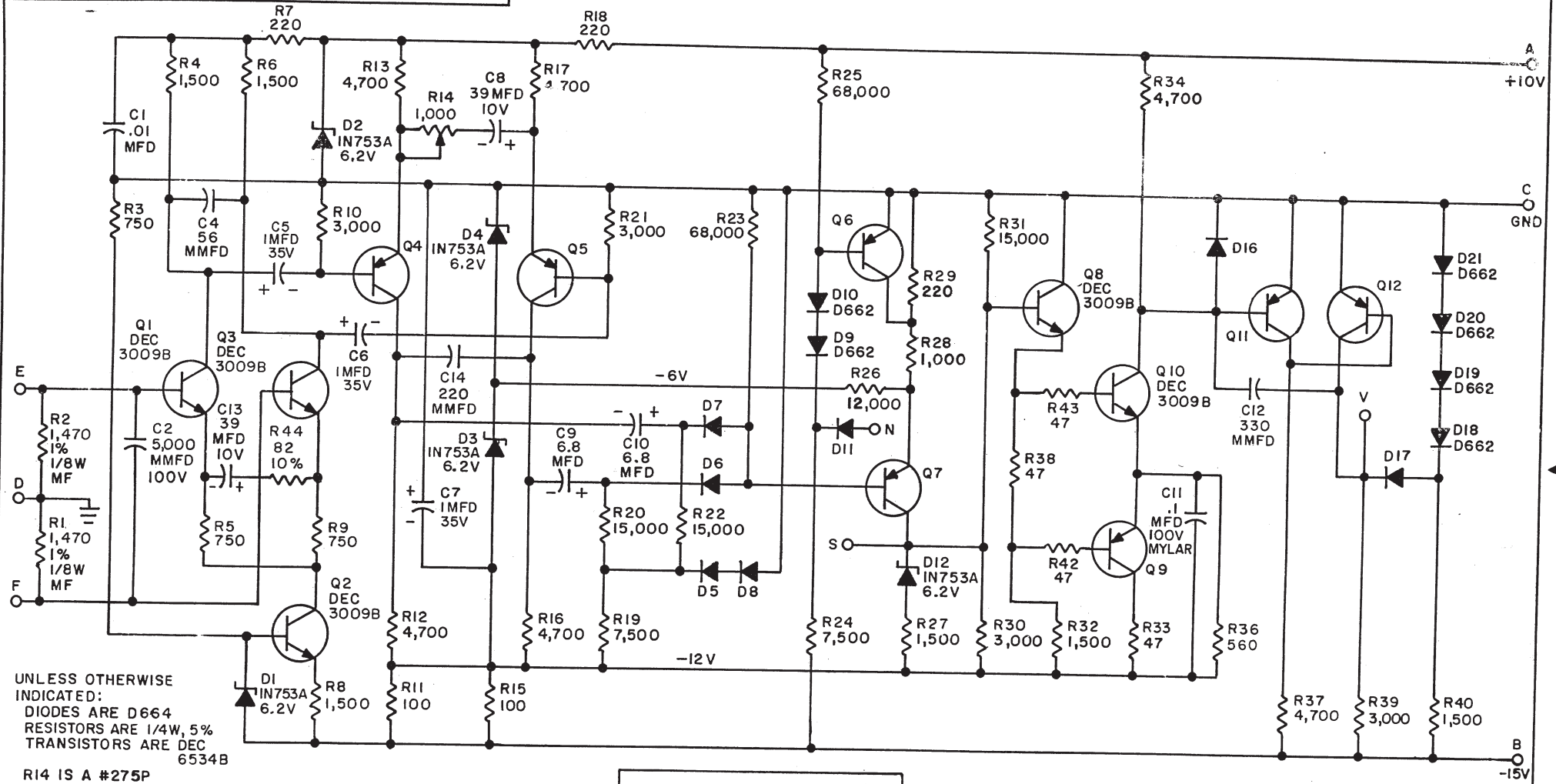


THIS SCHEMATIC IS FURNISHED ONLY FOR TEST AND MAINTENANCE PURPOSES. THE CIRCUITS ARE PROPRIETARY IN NATURE AND SHOULD BE TREATED ACCORDINGLY. COPYRIGHT 1967 BY DIGITAL EQUIPMENT CORPORATION

REV. NUMBER SIZE CODE



UNLESS OTHERWISE INDICATED:
 DIODES ARE D664
 RESISTORS ARE 1/4W, 5%
 TRANSISTORS ARE DEC 6534B

R14 IS A #275P
 PARTS LIST A-PL-G084-0-0

REVISIONS	CHK	CHG NO.	REV
		6772	B
		7153	C
		00001	D

DRN.	<i>M. Waller</i>	DATE	4-5-67
CHK'D		DATE	7/11
ENG.		DATE	5/1
PROD.		DATE	

TRANSISTOR & DIODE CONVERSION CHART			
DEC	EIA	DEC	EIA
DEC3009B	2N3009	IN753A	SAME
DEC6534B	MPS6534		
D662	IN645		
D664	IN3606		

digital
 EQUIPMENT CORPORATION
 MAYNARD, MASSACHUSETTS

TITLE	MAG. TAPE READ AMP. G084		
SIZE	CODE	NUMBER	REV.
B	CS	G084-0-1	D
PRINTED CIRCUIT REV.			C

DEC FORM NO. DRB 102

DIST. 324 1134 135