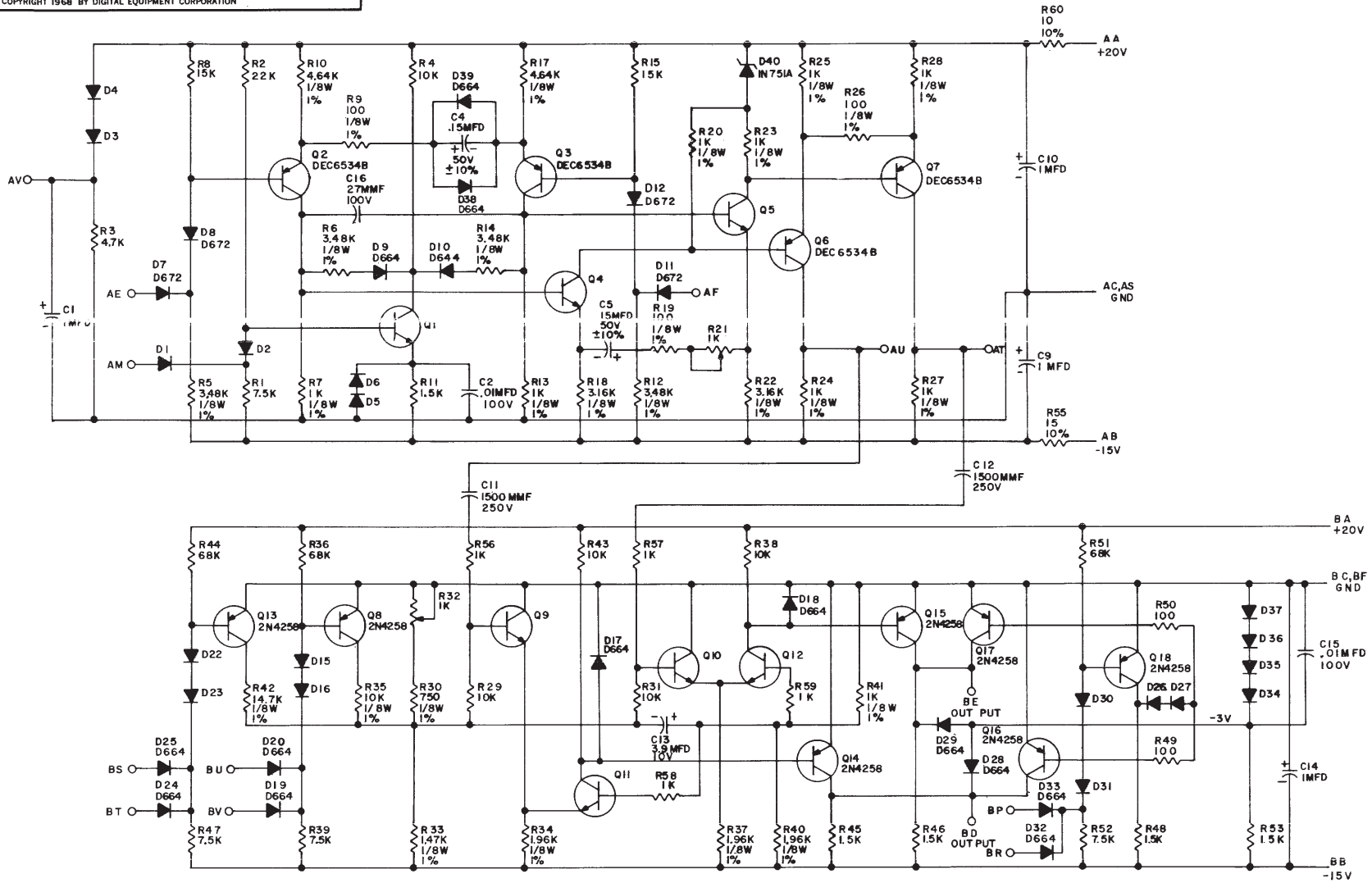


THIS SCHEMATIC IS FURNISHED ONLY FOR TEST AND MAINTENANCE PURPOSES. THE CIRCUITS ARE PROPRIETARY IN NATURE AND SHOULD BE TREATED ACCORDINGLY. COPYRIGHT 1968 BY DIGITAL EQUIPMENT CORPORATION



UNLESS OTHERWISE INDICATED:  
 CAPACITORS ARE 35V  
 RESISTORS ARE 1/4W, 5%  
 DIODES ARE D662  
 TRANSISTORS ARE DEC3009B  
 R21, R32 ARE POTS 76 PR 1K HELITRIM  
 1/8W, 1% RESISTORS ARE 100MF

G085-2

REV. F  
 NUMBER G085-0-1  
 SIZE CODE C CS

REV.	CHG. NO.	REV.
1	00001	A
2	00002	D
3	00003	E
4	00004	F
5	00005	F

DATE	BY	DESCRIPTION
10-23-66	M. HALLER	TRANSISTOR & DIODE CONVERSION CHART
10-24-66	MULLEN	D664 IN3608 DEC6534B MP56534B
1-10-69	S. SAMBERT	D672 IN645 IN751A SAME
		D672 IN3653
		2N4258 NONE
		DEC3009B 2N3009B

<b>digital</b>		TITLE	
EQUIPMENT CORPORATION		DISC READ AMP AND SLICE G085	
SIZE	CODE	NUMBER	REV.
C	CS	G085-0-1	F
PRINTED CIRCUIT REV.		E	