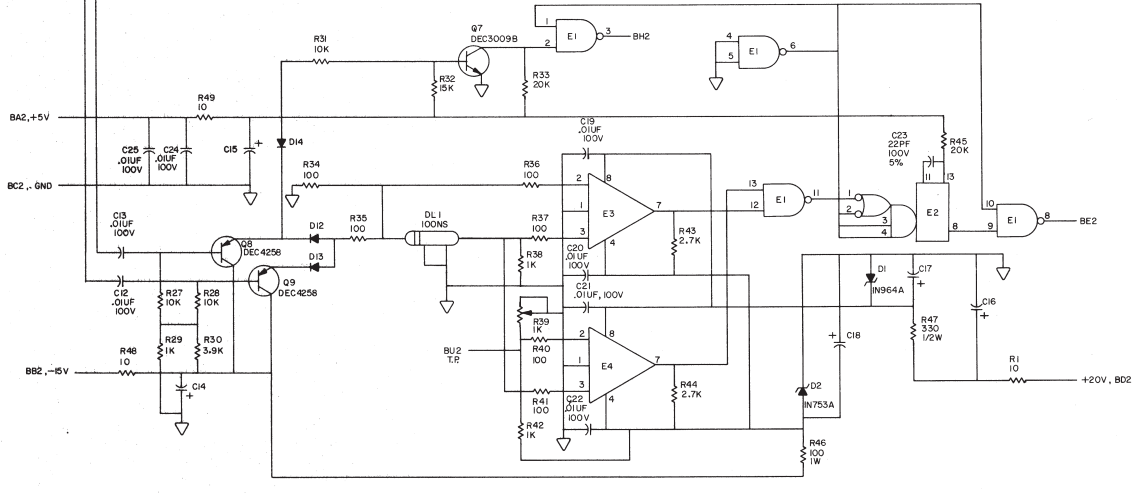
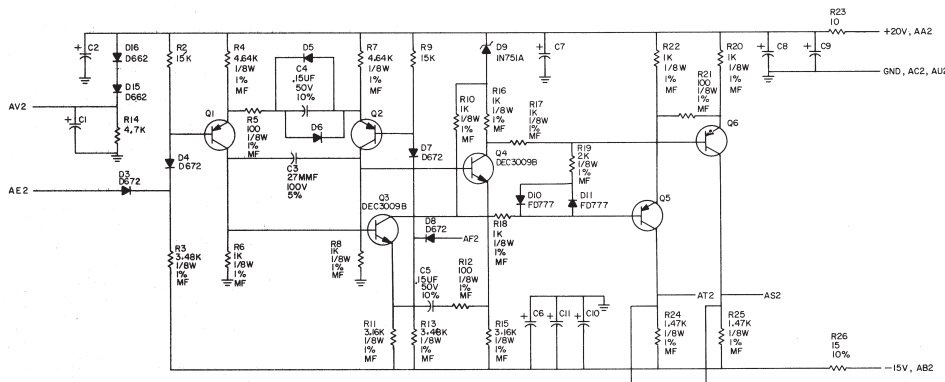


THIS SCHEMATIC IS FURNISHED ONLY FOR TEST AND MAINTENANCE PURPOSES. THE CIRCUITS ARE PROPRIETARY IN NATURE AND SHOULD BE TREATED ACCORDINGLY. COPYRIGHT 1970 BY DIGITAL EQUIPMENT CORPORATION

H 1-0-8800 SQ D
274 10051 1015

ALLOWABLE SUBSTITUTION LIST

COMP. REF.	ORIGINAL PART NO.	SUBSTITUTE PART		ITEM NO.
		DESCRIPTION	PART NO.	
C4,C5	1010031-1	CAP., 1UF, 50V, 10%	1010031-2	10
D10,D11	1103041	DIODE D333	1109072	15
D9	1105873	DIODE 5.1V, 2%, 400MW	1110925	17



UNLESS OTHERWISE INDICATED:
RESISTORS ARE 1/4W, 5%
CAPACITORS ARE 6.8UF, 50V, 20%
DIODES ARE D664
TRANSISTORS ARE DEC6534C
POTENTIOMETER IS A 1K, 3/4W, 76PR
DEC 7400 = E1
DEC 9601 = E2
UA710 = E3, E4
PIN 7 = GND, ON E1 AND E2
PIN 14 = +5V

REVISION	DATE	BY	CHKD
1	7-6-71
2	11-17-71
3	11-17-71
4	11-17-71

DATE	BY	CHKD	DATE	BY	CHKD
7-6-71
11-17-71
11-17-71
11-17-71

TRANSISTOR	DIODE	CONVERSION CHART
DEC 6534C	IN753A	...
DEC 6534C	IN753A	...
DEC 6534C	IN753A	...
DEC 6534C	IN753A	...

original TITLE READ AMP
CORPORATION PEAK DETECTOR G088
DIGITAL EQUIPMENT CORPORATION
PRINTED CIRCUIT REV. E

GO88

