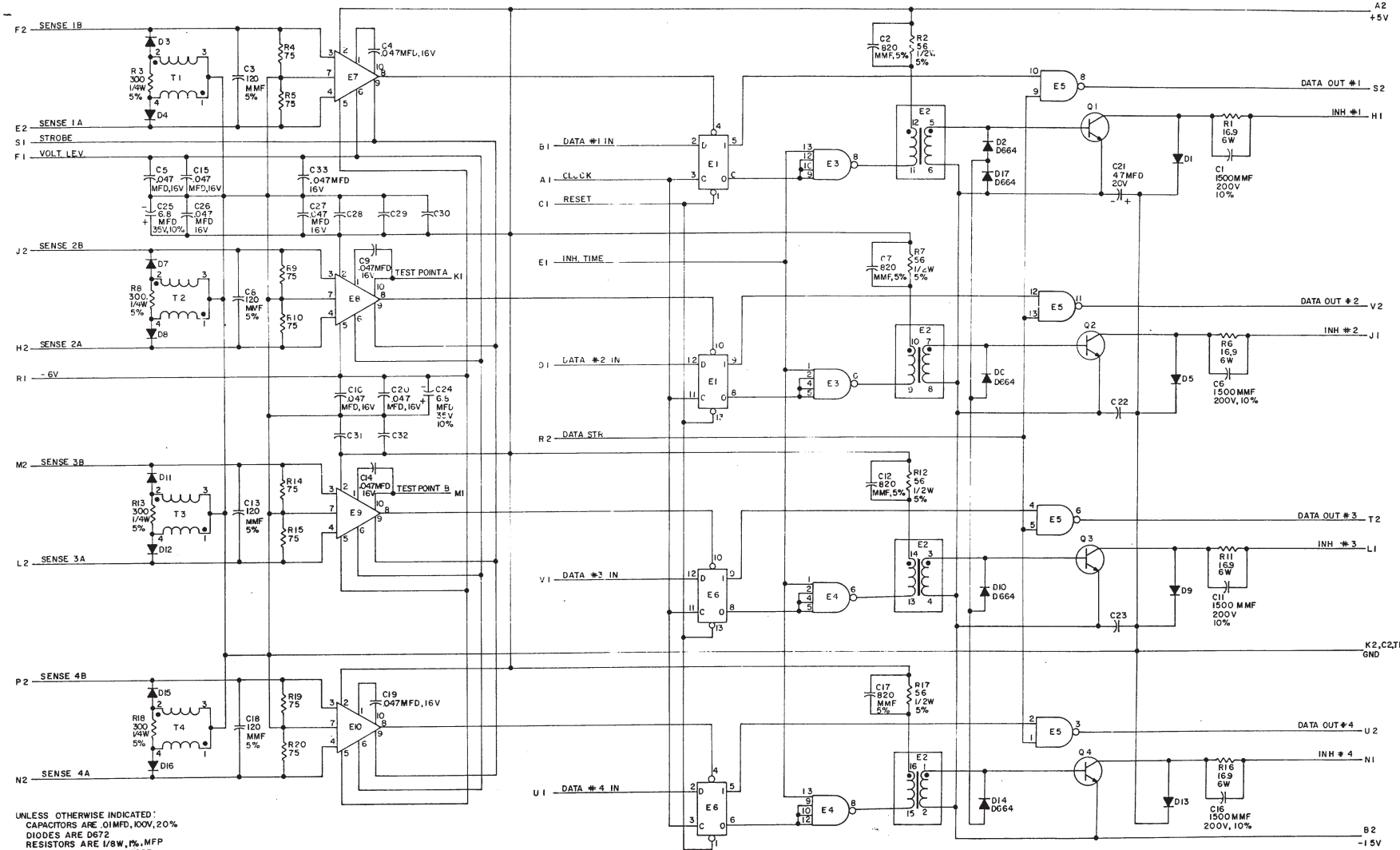


THIS DOCUMENT IS UNCLASSIFIED EXCEPT FOR TEXT AND ILLUSTRATIONS THEREON. THE SECURITY AND PROTECTION IS BASED ON EDITIONS OF TECHNICAL DOCUMENTS, REVISION 1249 OF DIGITAL EQUIPMENT CORPORATION

1-0-2019 5 0



UNLESS OTHERWISE INDICATED:
 CAPACITORS ARE .01MFD, 100V, 20%
 DIODES ARE D672
 RESISTORS ARE 1/8W, 1%, MFP
 TRANSISTORS ARE DEC2007
 TRANSFORMERS ARE 1T25
 PIN 7 ON E1, E3-E6 = GND
 PIN 14 ON E1, E3-E6 = +5V
 E1, E6 = ARE DEC7474
 E2 IS A DUAL IN LINE PACK XMFR-16-09996-0
 E3, E4 ARE DEC74H01
 E5 IS DEC74H01
 E7-E10 ARE MC1540
 CAPACITORS C2-C7, C12 AND C17
 ARE AND MUST BE SINGLE DIP

| REV | DATE | BY | CHKD | DESCRIPTION |
|-----|----------|-----|------|-------------|
| 1 | 11-11-68 | ... | ... | ... |
| 2 | 02-22-69 | ... | ... | ... |

| TRANSISTOR & DIODE CONVERSION CHMIT | | | |
|-------------------------------------|--------|----|----|
| TRANSISTOR | DIODE | DA | DB |
| 2N2907 | 1N3007 | | |
| 2N2906 | 1N3006 | | |
| 2N2905 | 1N3005 | | |
| 2N2904 | 1N3004 | | |

| TITLE | | EQUIPMENT CORPORATION | |
|-------------------------|----------|-----------------------|---|
| SENSE INHIBIT-CARD G102 | | EQUIPMENT CORPORATION | |
| FILE CODE | PROJECT | REV | D |
| D CS | G102-0-1 | | |
| PRINTED CIRCUIT REV. | | D | |

4 DISK 2-11-11-68 PINK