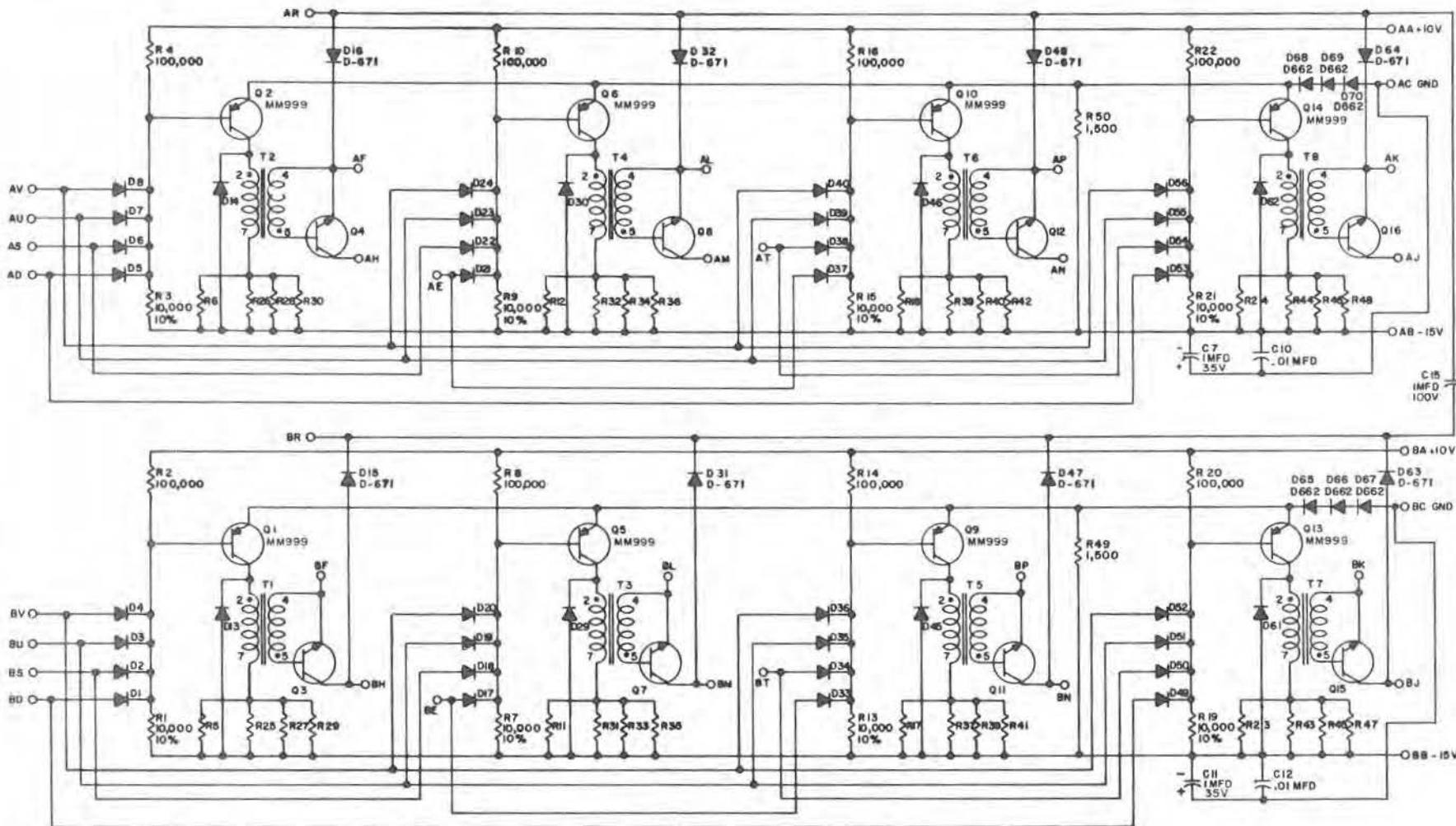


THIS SCHEMATIC IS FURNISHED ONLY FOR TEST AND MAINTENANCE PURPOSES. THE CIRCUITS ARE PROPRIETARY IN NATURE AND SHOULD BE TREATED ACCORDINGLY. COPYRIGHT 1968 BY DIGITAL EQUIPMENT CORPORATION.



UNLESS OTHERWISE INDICATED:  
TRANSFORMERS ARE T-2071  
TRANSISTORS ARE DEC 1008

RESISTORS ARE 1/4 W, 5%  
DIODES ARE D-664  
RESISTORS ARE 1200, 1/4 W, 10%

USE THE ETCH BOARD OF THE G209

PARTS LIST A-PL-6219-0-0

REV	DATE	BY	CHKD	REVISIONS
1	12/16/66	...	...	...
2	12/16/66	...	...	...
3	12/16/66	...	...	...
4	12/16/66	...	...	...
5	12/16/66	...	...	...
6	12/16/66	...	...	...
7	12/16/66	...	...	...
8	12/16/66	...	...	...
9	12/16/66	...	...	...
10	12/16/66	...	...	...

DATE: 12/16/66  
DATE: 12/16/66  
DATE: 12/16/66  
DATE: 12/16/66  
DATE: 12/16/66  
DATE: 12/16/66  
DATE: 12/16/66  
DATE: 12/16/66  
DATE: 12/16/66  
DATE: 12/16/66

TRANSISTOR & DIODE CONVERSION CHART			
DEC	EIA	DEC	EIA
DEC1008	MM1008		
MM999	SAME		
D662	1N662		
D664	1N3606		
D671	1N3653		

**digital**  
EQUIPMENT CORPORATION  
MAYNARD, MASSACHUSETTS

TITLE: MEMORY SELECTOR G219  
SIZE: C  
CODE: CS  
NUMBER: G219-0-1  
REV: L

DEC FORM NO. 102

PINK