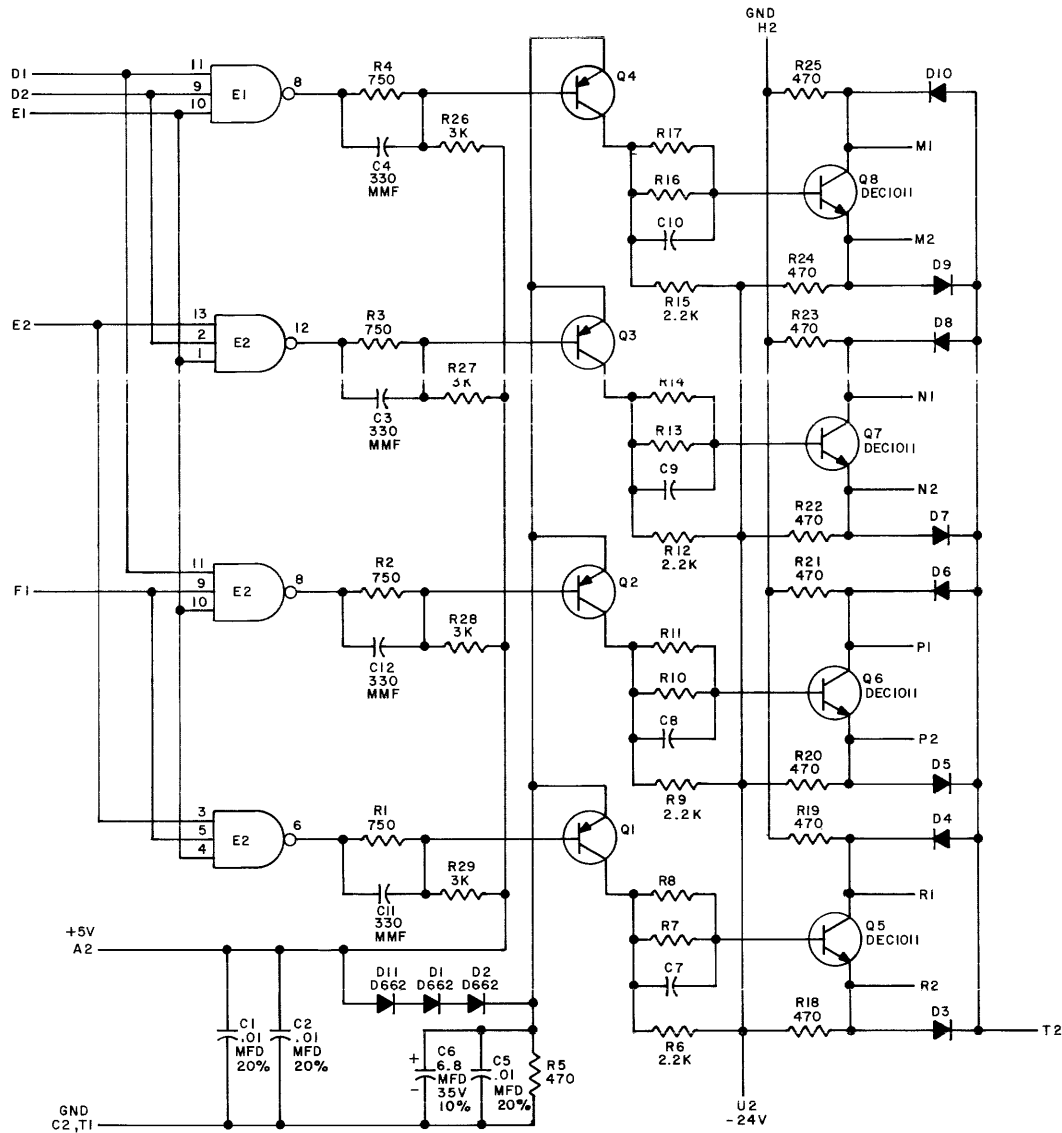


THIS SCHEMATIC IS FURNISHED ONLY FOR TEST AND MAINTENANCE PURPOSES. THE CIRCUITS ARE PROPRIETARY IN NATURE AND SHOULD BE TREATED ACCORDINGLY. COPYRIGHT 1969 BY DIGITAL EQUIPMENT CORPORATION



UNLESS OTHERWISE INDICATED:
 TRANSISTORS ARE DEC6534C
 DIODES ARE D672
 RESISTORS ARE 1/4W, 5%
 CAPACITORS ARE 47 PF, 100V, 5%
 IC'S ARE DEC74H10N
 PIN 7 ON EACH IC = GND
 PIN 14 ON EACH IC = +5V

G222-2

| REVISIONS | CHK | ENG | NO. | REV. |
|-----------|-----|-------|-----|------|
| 1 | AFK | 00001 | B | |
| 2 | AFK | 00002 | C | |
| 3 | AFK | 00003 | D | |

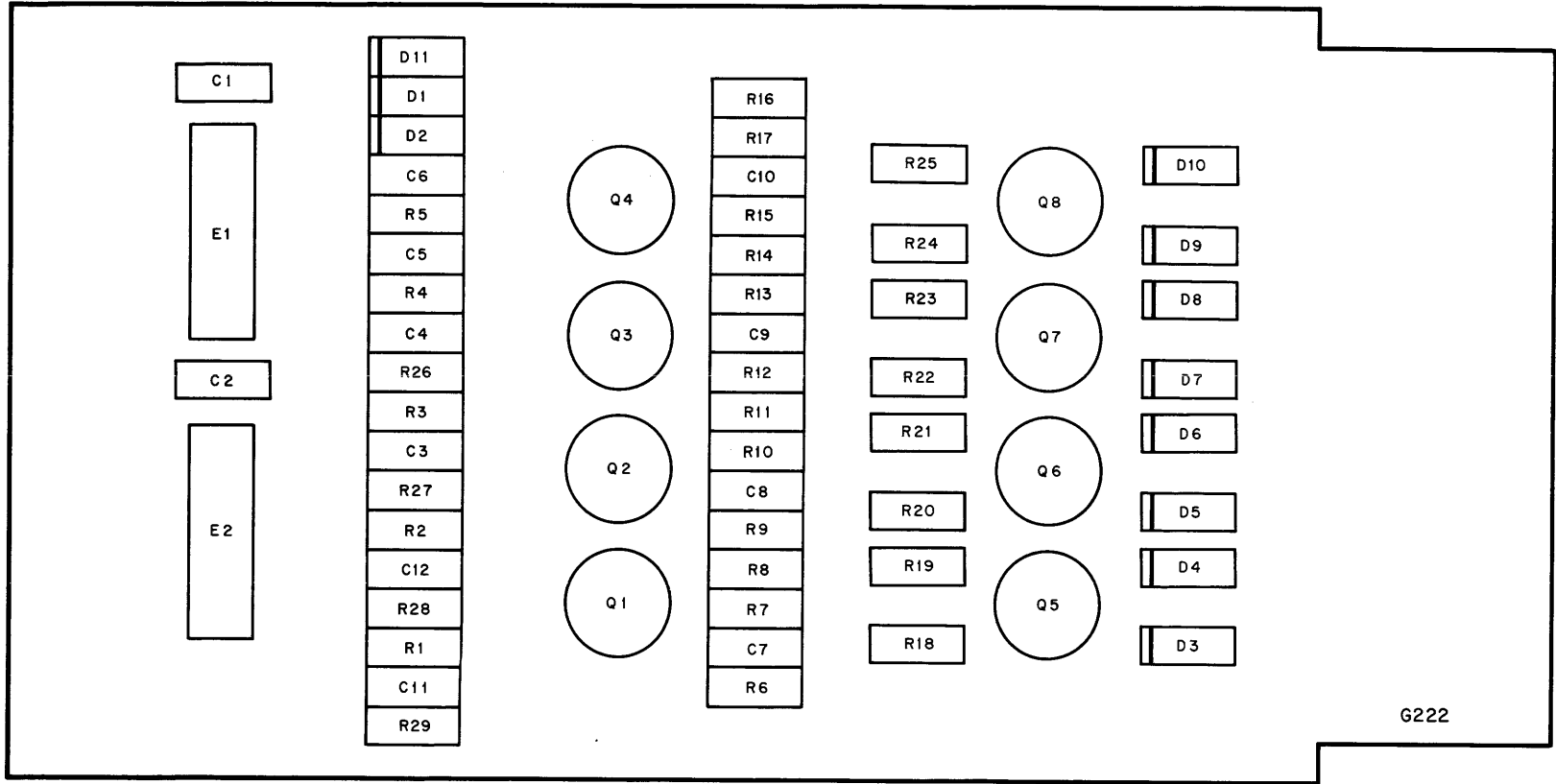
| | | | |
|-------|-----------|------|----------|
| DRN. | M. Keller | DATE | 4-7-69 |
| CHK'D | | DATE | |
| ENG. | G. Young | DATE | 4-7-69 |
| | | DATE | 11/11/69 |

| TRANSISTOR & DIODE CONVERSION CHART | | | |
|-------------------------------------|---------|-----|-----|
| DEC | EIA | DEC | EIA |
| DEC6534C | MPS6534 | | |
| D662 | 1N645 | | |
| D672 | 1N3653 | | |

| | | | |
|---|------|----------------------|------|
| digital | | TITLE | |
| EQUIPMENT CORPORATION | | MEMORY SELECTOR G222 | |
| SIZE | CODE | NUMBER | REV. |
| C | CS | G222-0 | D |
| MAYNARD, MASSACHUSETTS PRINTED CIRCUIT REV. | | | |

SIZE CODE NUMBER REV. D
 C CS G222-0-1

G222-3



G222