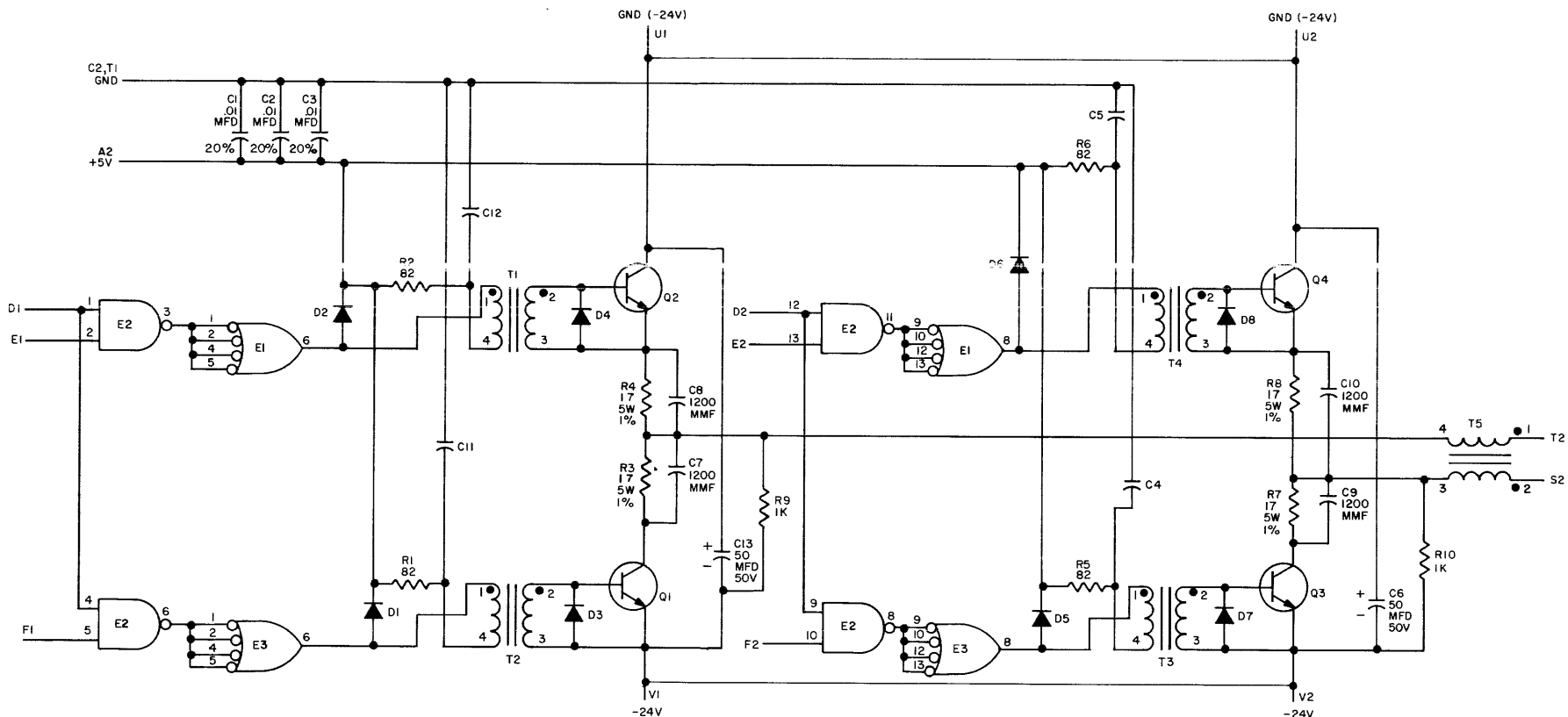


THIS SCHEMATIC IS FURNISHED ONLY FOR TEST AND MAINTENANCE PURPOSES. THE CIRCUITS ARE PROPRIETARY IN NATURE AND SHOULD BE TREATED ACCORDINGLY. COPYRIGHT 1969 BY DIGITAL EQUIPMENT CORPORATION

G223-4



UNLESS OTHERWISE INDICATED:
 TRANSISTORS ARE DEC 1008
 T1-T4 ARE SPRAGUE 5574,17Z1 OR 5387 16-09479
 DIODES ARE D664
 CAPACITORS ARE 120MMF, 100V, 5%
 RESISTORS ARE 1/4W 5%
 T5 IS SPRAGUE 5386, OR 17Z5 16-09478
 PIN 14 ON EACH IC = +5V
 PIN 7 ON EACH IC = GND
 E2 IS SN74HOON
 E1, E3 ARE SN74H40N

REVISIONS	CHKD	CRGNO	REV
1	H. LAVOIE	00001	B
2	H. LAVOIE	00002	C
3	H. LAVOIE	00003	D

DRN	R. BUTLER	DATE	4/14/69
CHKD		DATE	4-15-69
ENGR		DATE	
PRP		DATE	

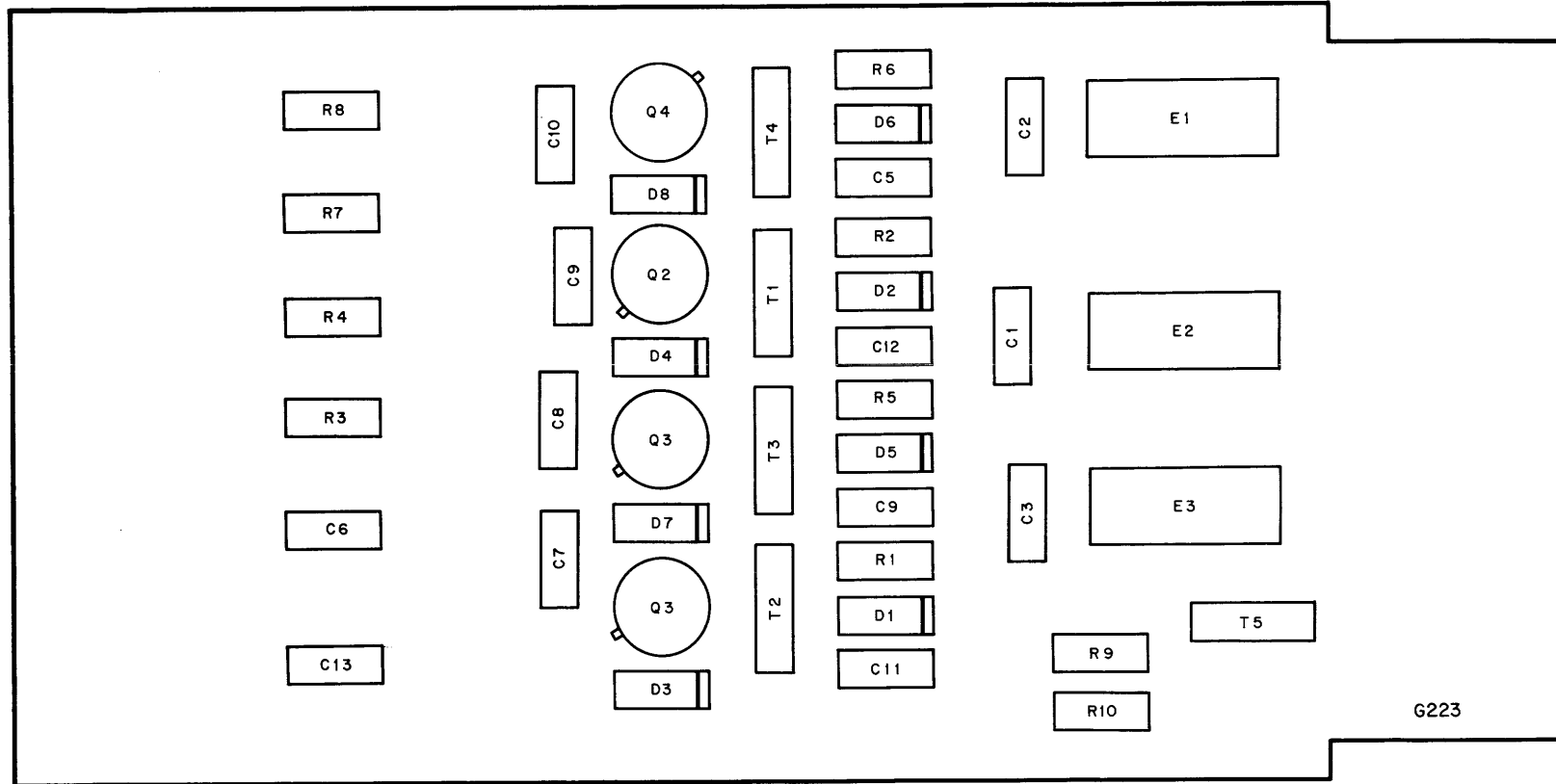
TRANSISTOR & DIODE CONVERSION CHART			
DEC	EIA	DEC	EIA
D664	1N3606		
DEC1008	MM1008		

digital
 EQUIPMENT CORPORATION
 MAYNARD, MASSACHUSETTS

TITLE			
READ WRITE DRIVER G223			
SIZE	CODE	NUMBER	REV.
C	CS	G223-0-1	D
PRINTED CIRCUIT REV.			

REV. D
 NUMBER G223-0-1
 SIZE CODE C CS

G223-5



G223