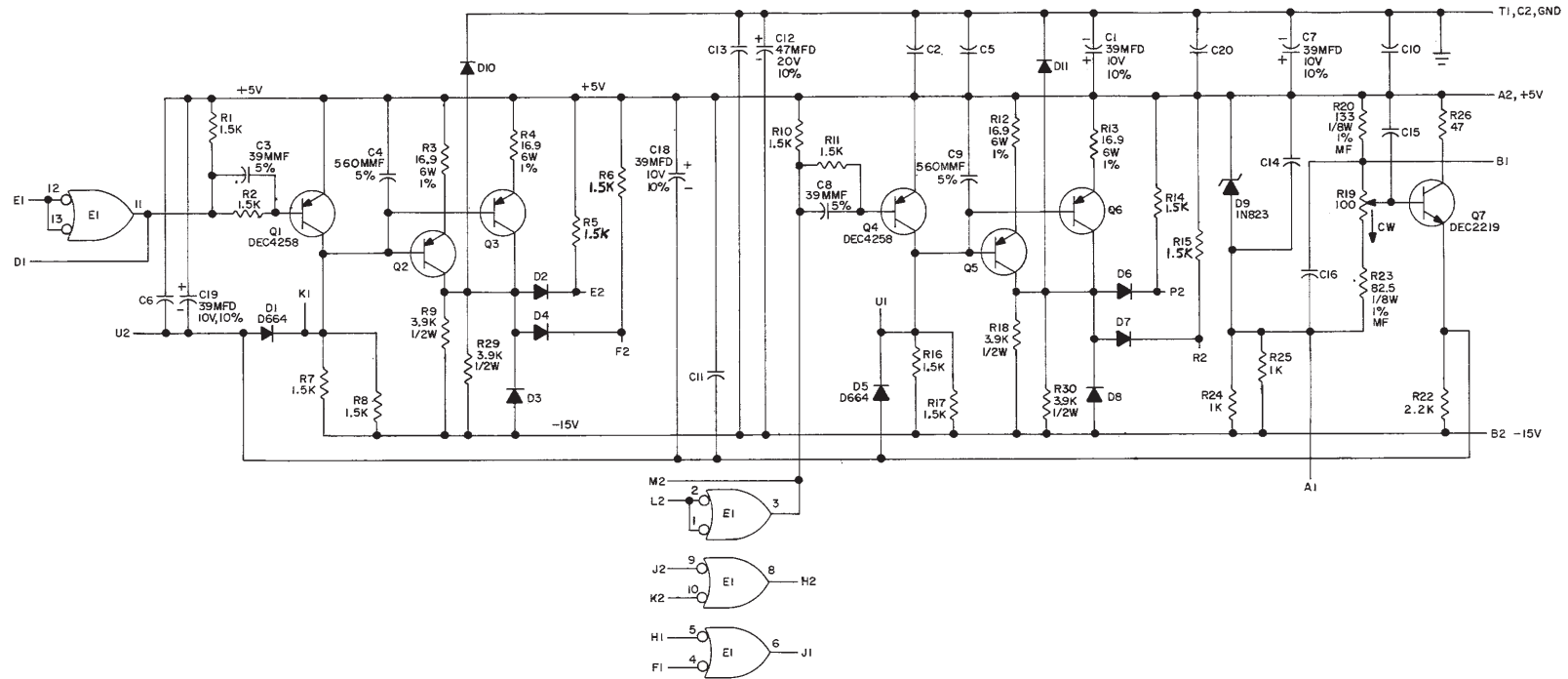


THIS SCHEMATIC IS FURNISHED ONLY FOR TEST AND MAINTENANCE PURPOSES. THE CIRCUITS ARE PROPRIETARY IN NATURE AND SHOULD BE TREATED ACCORDINGLY. COPYRIGHT 1969 BY DIGITAL EQUIPMENT CORPORATION



UNLESS OTHERWISE INDICATED:
 PIN 7 ON EACH IC = GND
 PIN 14 ON EACH IC = +5V
 DIODES ARE D672
 TRANSISTORS ARE DEC3762
 RESISTORS ARE 1/4W, 5%
 CAPACITORS ARE .01MFD, 100V, 20%
 EI IS DEC74HOON

REVISIONS	CHK	CHG	NO.	REV.
1	1	1	00001	A
2	1	1	00003	B

DRN	BUTLER	DATE	8-28-69
CHK'D		DATE	9-5-69
ENG.		DATE	12-2-70
PROD.		DATE	

TRANSISTOR & DIODE CONVERSION CHART			
DEC	EIA	DEC	EIA
IN756A	SAME	DEC4258	2N4258
D664	IN3606		
D672	IN3653		
DEC2219	2N2219		
DEC3762	2N3762		

digital
 EQUIPMENT CORPORATION
 MAYNARD, MASSACHUSETTS

TITLE		X & Y CURRENT GENERATOR G225	
SIZE	CODE	NUMBER	REV.
C	CS	G225-0-1	B
PRINTED CIRCUIT REV. B			

DEC FORM NO. DRC 102

▲

5

DIST. 324.424.424.357

REV. B
 NUMBER G225-0-1
 SIZE CODE CS
 C