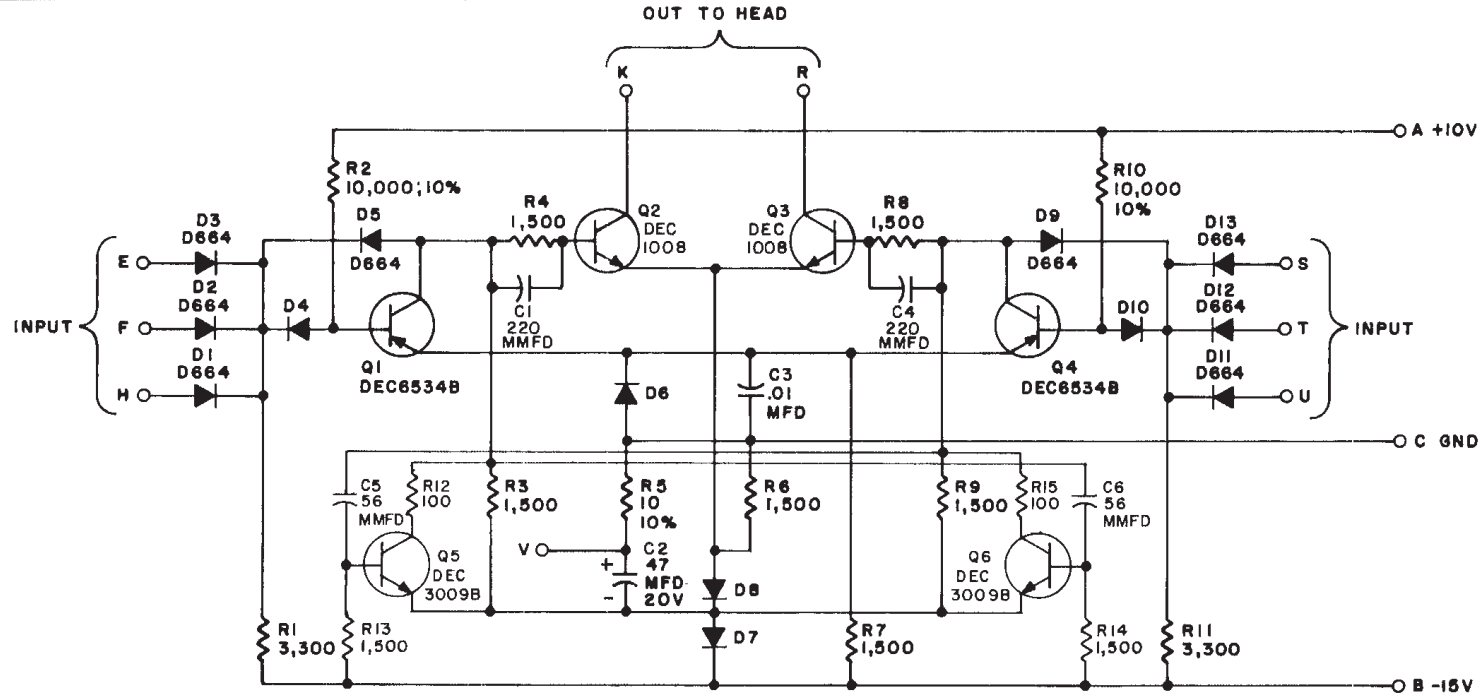


SIZE B CS G284-0-1 REV B

THIS SCHEMATIC IS FURNISHED ONLY FOR TEST AND MAINTENANCE PURPOSES. THE CIRCUITS ARE PROPRIETARY IN NATURE AND SHOULD BE TREATED ACCORDINGLY. COPYRIGHT 1967 BY DIGITAL EQUIPMENT CORPORATION



UNLESS OTHERWISE INDICATED:
 DIODES ARE D662
 RESISTORS ARE 1/4W, 5%

 K R S T U V

PARTS LIST IS A-PL-G284-0-0

REVISIONS	CHK	CHG NO	REV
		00001	B

DRN <i>M. Waller</i>	DATE 1-26-67
CHK'D	DATE
ENG <i>A. Jambor</i>	DATE 3/1/67
PROD	DATE

TRANSISTOR & DIODE CONVERSION CHART			
DEC	EIA	DEC	EIA
DEC1008	MM1008		
DEC6534B	MP6534		
D662	1N646		
D664	1N3606		
DEC3009B	2N3009		

digital
 EQUIPMENT CORPORATION
 MAYNARD, MASSACHUSETTS

TITLE DISC WRITER G284			
SIZE B	CODE CS	NUMBER G284-0-1	REV B
PRINTED CIRCUIT REV.			D

DEC FORM NO DRB 102

Figure 6-21 Disk Writer G284