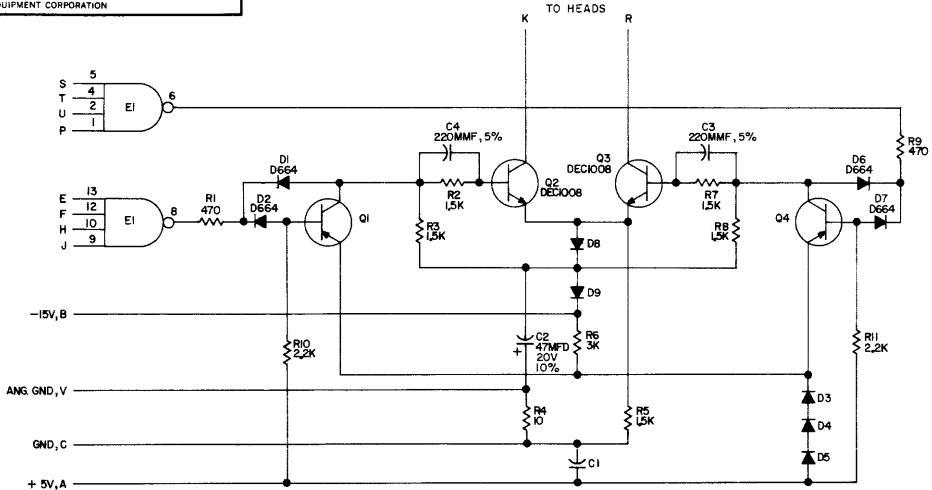


THIS SCHEMATIC IS FURNISHED ONLY FOR TEST AND MAINTENANCE PURPOSES. THE CIRCUITS ARE PROPRIETARY IN NATURE AND SHOULD BE TREATED ACCORDINGLY. COPYRIGHT 1969 BY DIGITAL EQUIPMENT CORPORATION



UNLESS OTHERWISE INDICATED:
 RESISTORS ARE 1/4W, 5%
 CAPACITORS ARE .01MFD, 100V, 20%
 DIODES ARE D662
 TRANSISTORS ARE DEC6534C
 IC'S ARE DEC7420
 PIN7 ON EACH IC = GND
 PIN 14 ON EACH IC = +5V

REVISIONS	CHK	ENG	NO.	REV.	A

DRN	<i>B. Wiley</i>	DATE	12-1-69
CHK'D	<i>[Signature]</i>	DATE	1-12-70
ENG	<i>[Signature]</i>	DATE	2-26-70
PROD.		DATE	

TRANSISTOR & DIODE CONVERSION CHART			
DEC		EIA	
D662	IN645		
D664	IN3606		
DEC6534C	MPS6834		
DEC1008	NONE		

digital
 EQUIPMENT
 CORPORATION
 MAYNARD, MASSACHUSETTS

TITLE			
DISC WRITER G294			
SIZE	CODE	NUMBER	REV
B	CS	G294-0-1	A
PRINTED CIRCUIT REV.			B