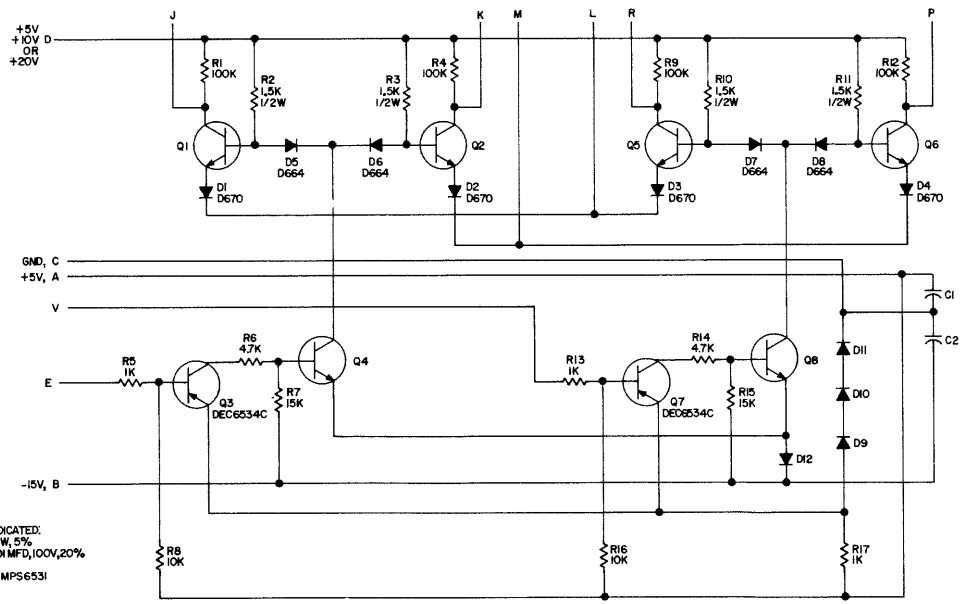


THIS SCHEMATIC IS FURNISHED ONLY FOR TEST AND MAINTENANCE PURPOSES. THE CIRCUITS ARE PROPRIETARY IN NATURE AND SHOULD BE TREATED ACCORDINGLY. COPYRIGHT 1969 BY DIGITAL EQUIPMENT CORPORATION



UNLESS OTHERWISE INDICATED:
 RESISTORS ARE 1/4W, 5%
 CAPACITORS ARE .01MFD, 100V, 20%
 DIODES ARE D662
 TRANSISTORS ARE MPS6531

REVISIONS CHK CHG NO REV	DRN	DATE
	CHK'D	DATE
	ENG	DATE
	PROD	DATE

TRANSISTOR & DIODE CONVERSION CHART			
DEC		EIA	
D662	IN645		
D664	IN3606		
D670	IN3653		
MPS6531	NO NE		
DEC6534C	MPS6534		



TITLE			
SERIES SWITCH G295			
SIZE	CODE	NUMBER	REV.
B	CS	G295-0-1	
PRINTED CIRCUIT REV.			A