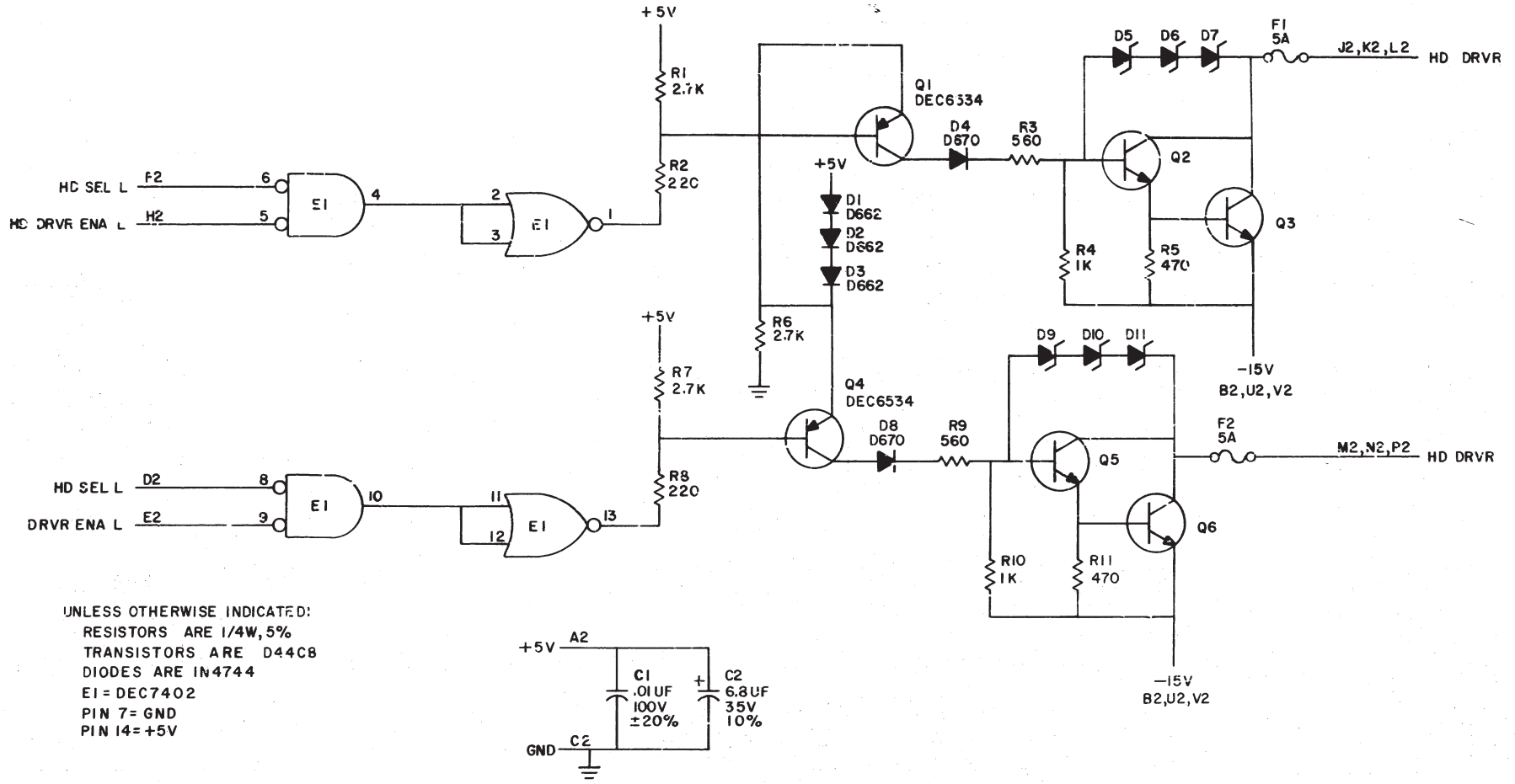
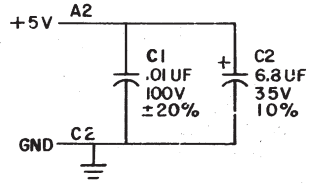


THIS SCHEMATIC IS FURNISHED ONLY FOR TEST AND MAINTENANCE PURPOSES. THE CIRCUITS ARE PROPRIETARY IN NATURE AND SHOULD BE TREATED ACCORDINGLY. COPYRIGHT 1971 BY DIGITAL EQUIPMENT CORPORATION



UNLESS OTHERWISE INDICATED:
 RESISTORS ARE 1/4W, 5%
 TRANSISTORS ARE D44CB
 DIODES ARE 1N4744
 E1 = DEC7402
 PIN 7 = GND
 PIN 14 = +5V



REVISIONS	CHK	CHG NO.	REV
1	M	00001	D
2	B	10001	H
C.YOUSE			

DRN. S. COOPER	DATE 3/15/71
CHK'D	DATE 3/19/71
ENG. [Signature]	DATE 3/19/71
PROD.	DATE

TRANSISTOR & DIODE CONVERSION CHART			
DEC	EIA	DEC	EIA
DEC6534	2N6534	D670	1N3653
D44CB		D662	1N4744
			1N645

digital
 EQUIPMENT CORPORATION
 MAYNARD, MASSACHUSETTS

TITLE SOLENOID DRIVER			
SIZE B	CODE CS	NUMBER G380-0-1	REV D
PRINTED CIRCUIT REV E			