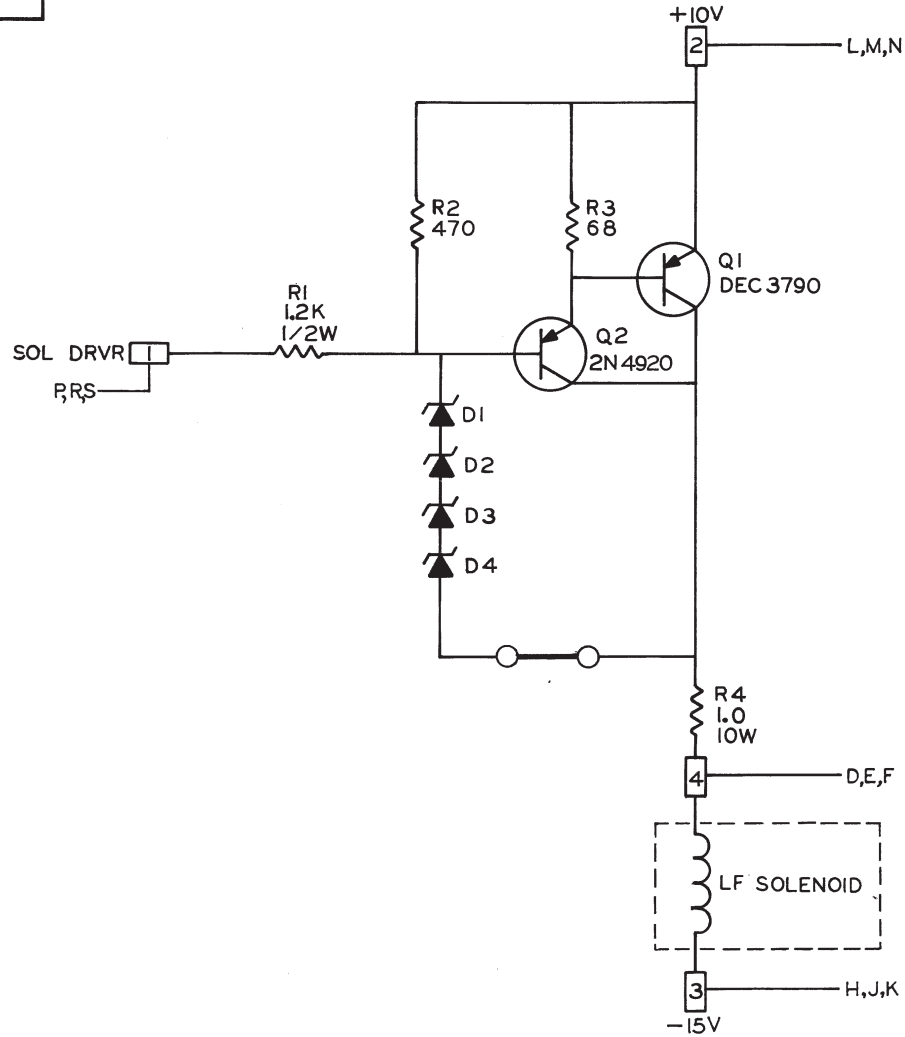


THIS SCHEMATIC IS FURNISHED ONLY FOR TEST AND MAINTENANCE PURPOSES. THE CIRCUITS ARE PROPRIETARY IN NATURE AND SHOULD BE TREATED ACCORDINGLY. COPYRIGHT 1971 BY DIGITAL EQUIPMENT CORPORATION



UNLESS OTHERWISE INDICATED:  
RESISTORS ARE 1/4W, 5%  
DIODES ARE IN4744

REVISIONS	CHK	CHG NO	REV.
		00001	B
		00002	C
		00003	D
		00004	E
		00005	F
		00006	G
		00007	H
		00008	I
		00009	J
		00010	K

DRN.	<i>R. D. D. Smith</i>	DATE	3/22/71
CHK'D	<i>R. Wald</i>	DATE	7/22/71
ENG.	<i>Charles Jones</i>	DATE	4/22/71
PROD.		DATE	

TRANSISTOR & DIODE CONVERSION CHART			
DEC		EIA	
DEC3790		2N3790	
		2N4920	
1N4744		SAME	

**digital**  
EQUIPMENT CORPORATION  
MAYNARD, MASSACHUSETTS

TITLE				LINE FEED SOLENOID DRIVER			
SIZE	CODE	NUMBER	REV.				
B	CS	G381-0-1	C				
PRINTED CIRCUIT REV.			A				

