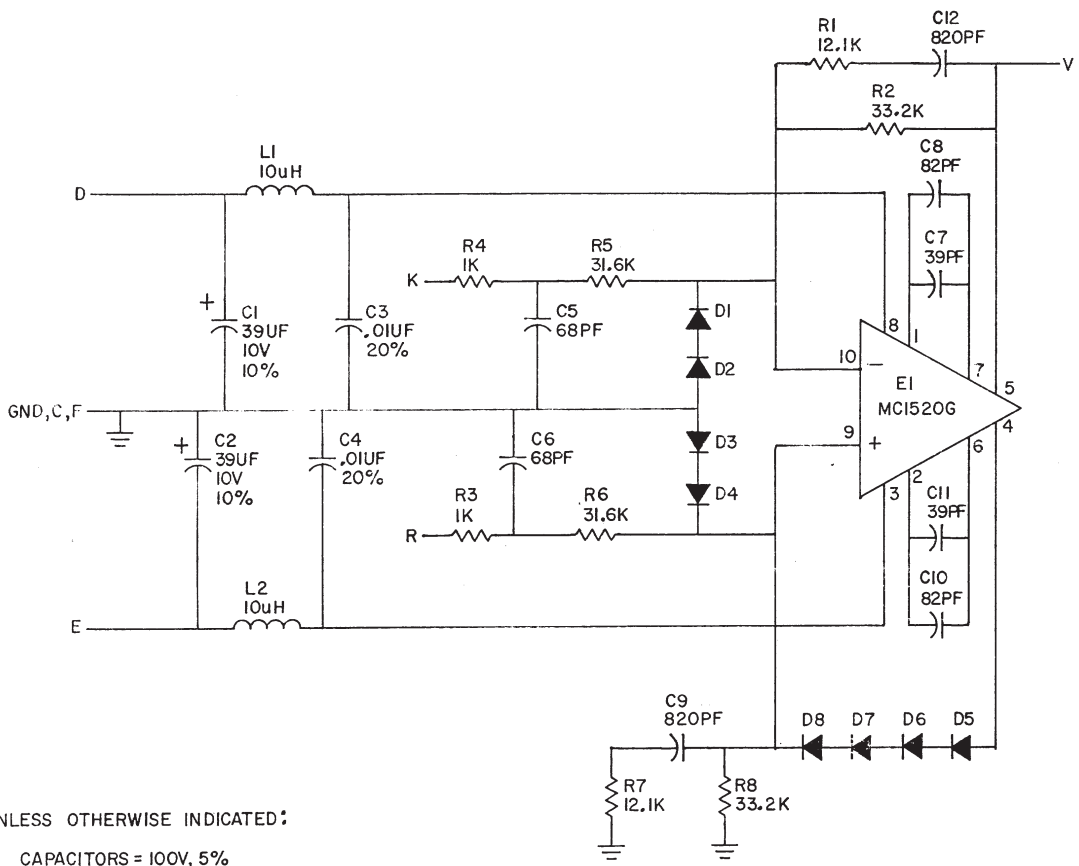


THIS SCHEMATIC IS FURNISHED ONLY FOR TEST AND MAINTENANCE PURPOSES. THE CIRCUITS ARE PROPRIETARY IN NATURE AND SHOULD BE TREATED ACCORDINGLY. COPYRIGHT 1969 BY DIGITAL EQUIPMENT CORPORATION



UNLESS OTHERWISE INDICATED:
 CAPACITORS = 100V, 5%
 DIODES = D664
 RESISTORS = 1/8W, 1%, MF

REVISIONS CHK CHG NO. REV. RLO 00002 B REV B REDR 00003 C	DRN	R. CLEMENS	DATE	9/10/69	TRANSISTOR & DIODE CONVERSION CHART DEC EIA DEC EIA D664 IN3606				digital EQUIPMENT CORPORATION MAYNARD, MASSACHUSETTS		TITLE FILTERED DIFFERENTIAL AMPLIFIER			
	CHK'D	A. YAUGA	DATE	9/15/69							SIZE	CODE	NUMBER	REV.
	ENG.		DATE		B	CS	G589-0-1	C						
	PROD.		DATE		PRINTED CIRCUIT REV. C									