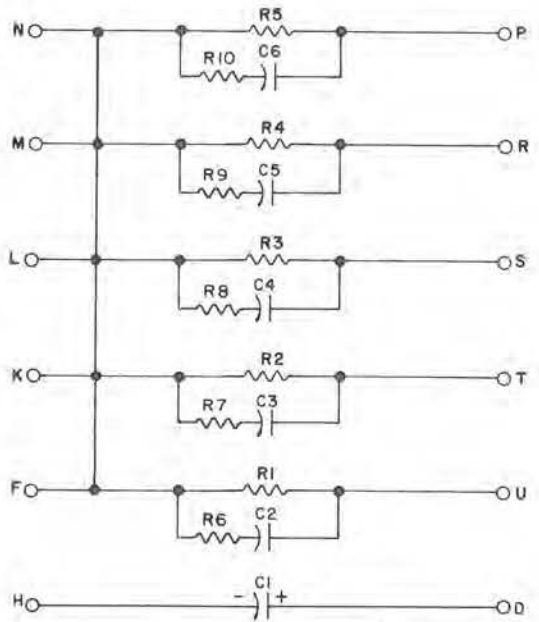


↓

D	REV	NUMBER	B	CS	G622-0-1
---	-----	--------	---	----	----------

THIS SCHEMATIC IS FURNISHED ONLY FOR TEST AND MAINTENANCE PURPOSES. THE CIRCUITS ARE PROPRIETARY IN NATURE AND SHOULD BE TREATED ACCORDINGLY. COPYRIGHT 1966 BY DIGITAL EQUIPMENT CORPORATION



4 9 0 9 4 2 1 1 - 3 2 1 8 - 2 2

R6 - R10	RES. 47 1/4W 10% CC	1300204
R1 - R5	RES. 56 10W 1% WW	1305396
C2 - C6	CAP. 470MMF 100V 5% DLML	1000024
C1	CAP. 20MFD 50V -10+75% ELECT	1002839
	PARTS LIST	A-PL-G622-0-0
REFERENCE DESIGNATION	DESCRIPTION	PART NO.

REVISONS	CHK	CHG NO	REV
		5595	B
		5959	C
		6936	D

DRN	DATE
<i>M. J. ...</i>	8-30-66
CHK'D	DATE
<i>S. ...</i>	9/1/66
ENG	DATE
<i>Sam ...</i>	9/21/66
PROD	DATE
2	

TRANSISTOR & DIODE CONVERSION CHART			
DEC	EIA	DEC	EIA

digital RESISTOR BOARD G622

EQUIPMENT CORPORATION
MAYNARD, MASSACHUSETTS

SIZE	CODE	NUMBER	REV
B	CS	G622-0-1	D
PRINTED CIRCUIT REV			
D			

Dist: 321 / 250 / 253

DEC FORM NO. DRB 102