

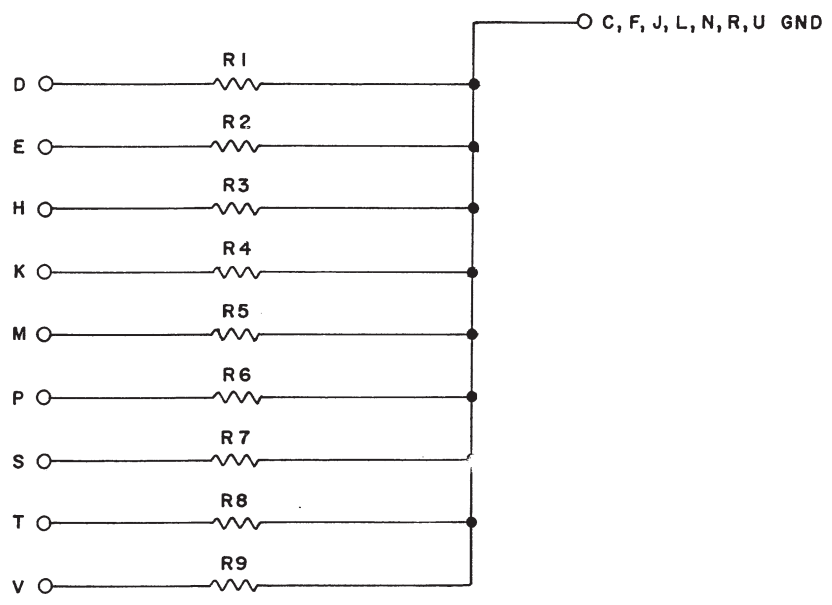


REV: A

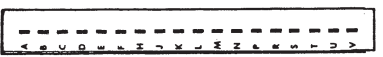
NUMBER 6700-0-1

SIZE B
CODE CS

THIS SCHEMATIC IS FURNISHED ONLY FOR TEST AND MAINTENANCE PURPOSES. THE CIRCUITS ARE PROPRIETARY IN NATURE AND SHOULD BE TREATED ACCORDINGLY. COPYRIGHT 1966 BY DIGITAL EQUIPMENT CORPORATION



UNLESS OTHERWISE INDICATED:
ALL RESISTORS ARE 100; 1/4W; 5%



REVISIONS	CHK CHG NO. REV.	6401 A	DRN.	M. Waller	DATE	11-10-66	TRANSISTOR & DIODE CONVERSION CHART				digital EQUIPMENT CORPORATION MAYNARD, MASSACHUSETTS	TITLE	100Ω TERMINATOR G700				
	CHK'D	H. Schuman	DATE	11/14/66	DEC	EIA	DEC	EIA	SIZE	B		CODE	CS	NUMBER	G700-0-1	REV.	A
	ENG.	J. E. Veen	DATE	11-14-66					PRINTED CIRCUIT REV.	B							
	PROD.		DATE														

