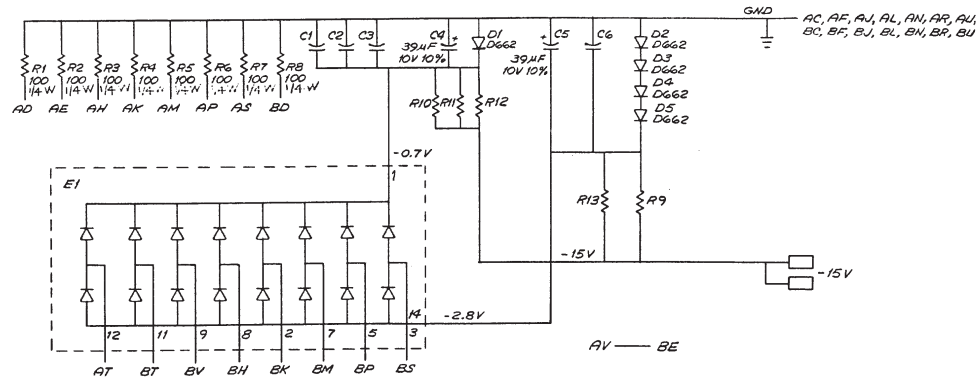
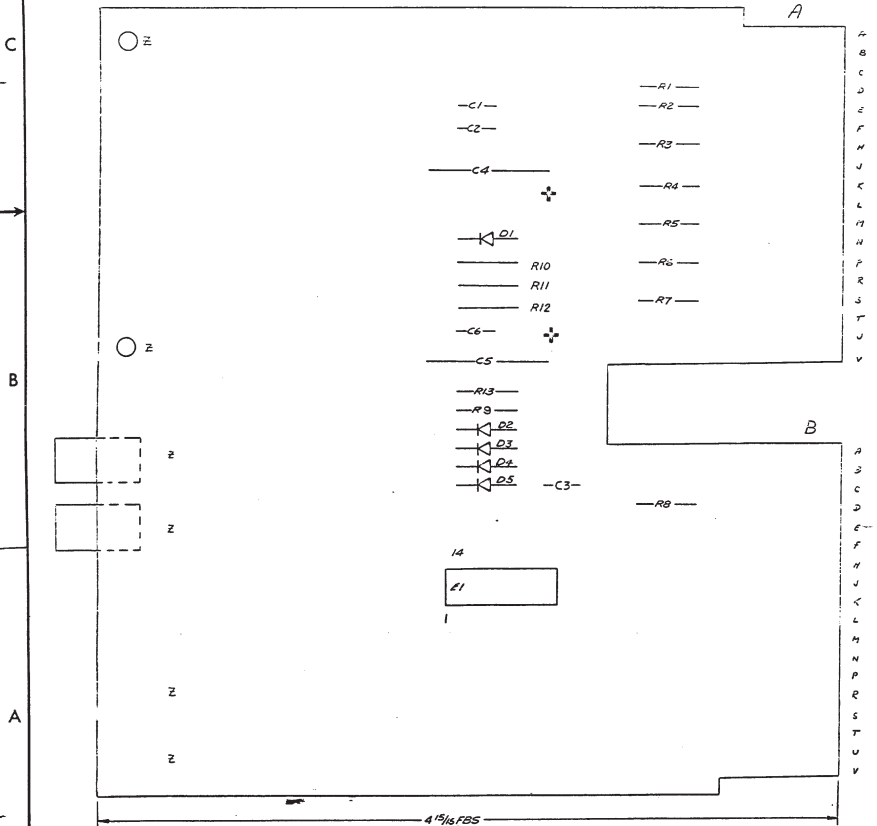


This drawing and specifications, herein, are the property of Digital Equipment Corporation and shall not be reproduced or copied or used in whole or in part as the basis for the manufacture or sale of items without written permission.

E 1-0-2002950a 2



UNLESS OTHERWISE NOTED:  
 ALL RESISTORS ARE 1.5K ± 5% 1/4 W CC  
 ALL CAPACITORS ARE .01 μF ± 20% 100V DISC CERAMIC  
 E1 IS A DEC 2501



QTY	REF DESIGNATION	DESCRIPTION	PART NO.	ITEM NO.
	E1	IC DEC 2501	1910010	14
	D1 THRU D5	DIODE D662	1100113	13
	C4, C5	CAP 39 μF 10V 10% TANT	1000076	12
	C1, C2, C3, C6	CAP .01 μF 100V 20% DISC	1001610	11
	R9 THRU R13	RES 1.5K 1/4 W 5%	1300391	10
	R1 THRU R8	RES 100 1/4 W 5%	1300229	9
		EYELET G34-5 E.B. STIMPSON	9009000	8
		HANDLE, FLIP-CHIP, GREEN	9008337-01	7
		FASTON TAB 60145-1 AMP INC	9007112	6
		EYELET G34-7 E.B. STIMPSON	9006732	5
		ETCHED CIRCUIT BOARD	5010043	4
		MODULE ECO HISTORY	B-MH-G7002-0-6	3
		ASSY/DRILLING HOLE LAYOUT	D-MH-G7002-0-5	2
		X-Y COORDINATE HOLE LOCATION	K-CO-G7002-0-4	1

DATE 10/17/72 DESIGNED BY 10/17/72 CHECKED BY 10/17/72 ENG 10/17/72 PROJ ENG 10/17/72 PROD 10/17/72	DATE 10/17/72 DATE 10/17/72 DATE 10/17/72 DATE 10/17/72 DATE 10/17/72	<p>EQUIPMENT CORPORATION MAYFORD, MASSACHUSETTS</p>
TITLE <b>I/O BUS TERMINATOR #3</b>		SIZE/CODE DICS G7002-0-1
SCALE NONE		NUMBER 1
SHEET 1 OF 1		REV. B

REV B  
 NUMBER  
 DCS G7002-0-1