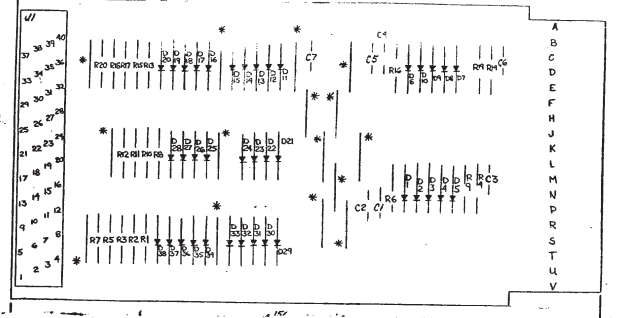
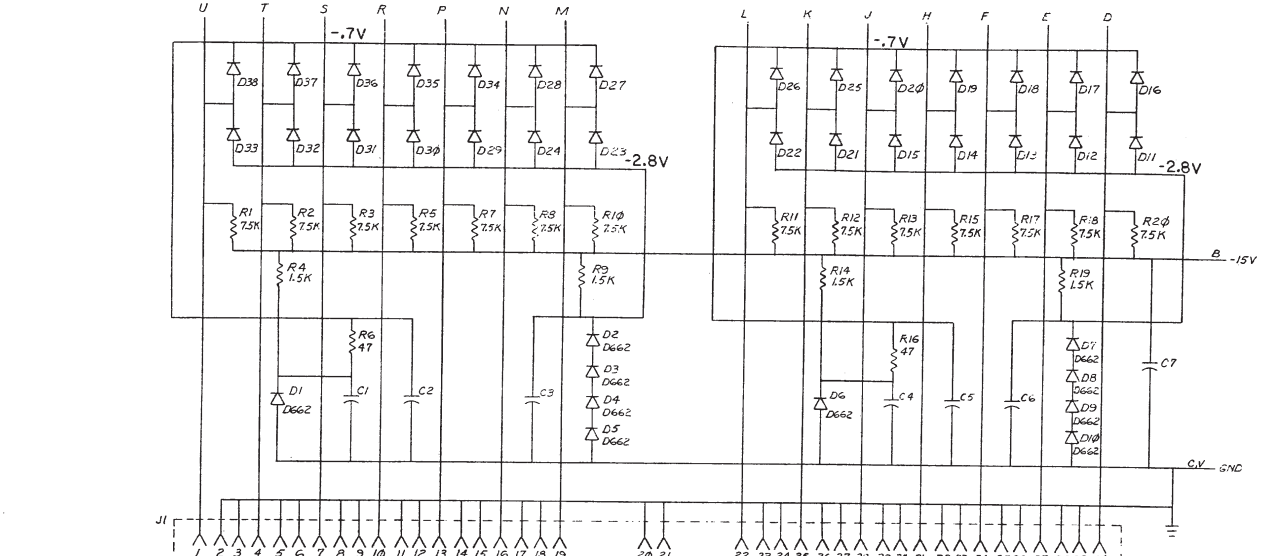


This drawing and specifications, herein, are the property of Digital Equipment Corporation and shall not be reproduced or copied or used in whole or in part as the basis for the manufacture or sale of items without written permission.



UNLESS OTHERWISE SPECIFIED
 ALL RESISTORS ARE 1/4W 5%
 ALL CAPACITORS ARE .01UF 100V 20%
 DIODES 11 THRU 33 ARE DG64

QTY	REF DESIGNATION	DESCRIPTION	PART NO.	ITEM NO.
15	J1	JUMPER INSULATED	900045	1
14	R1, 2, 3, 5, 7, 8, 10, 11, 12, 13, 15, 17, 18, 20	RES. 7.5K 1/4W 5%	430142	2
4	R4, 9, 14, 19	RES. 1.5K 1/4W 5%	130971	3
2	R6, 16	RES. 47 1/2W 5%	130508	4
1	J1	CONNECTOR	1210071	5
28	D11 - 38	DIODE DG64	1300114	6
10	D1 - 10	DIODE D662	1300113	7
7	C1 thru C7	CAP. .01UF 100V 20% DISC	1001410	8
1		ETCHED CIRCUIT BOARD	9000055	9
		MODULE ECO HISTORY	B-M-0766-0-6	1
		ASSY/DRILLING HOLE LAYOUT	D-AH-0766-0-1	2
		X-Y COORDINATE HOLE LOCATION	E-07-0766-0-1	3

PARTS LIST									
ETCH BOARD REV		A							
CHK	CHANGE NO	REV	DATE						
			07/29/72						
			11/1/72						
			4/10/72						
			12/14/72						
			01/11/73						
			07/17/72						
			07/17/72						
			07/17/72						
			07/17/72						
				NEXT HIGHER ASSY					
DEC NO.	EIA NO.	DEC NO.	EIA NO.	SCALE					
				D/CS 6766-0-1					
SEMICONDUCTOR CONVERSION CHART								DIST.	

REV. 1
 NUMBER 6766-0-1
 DIST. DIST.