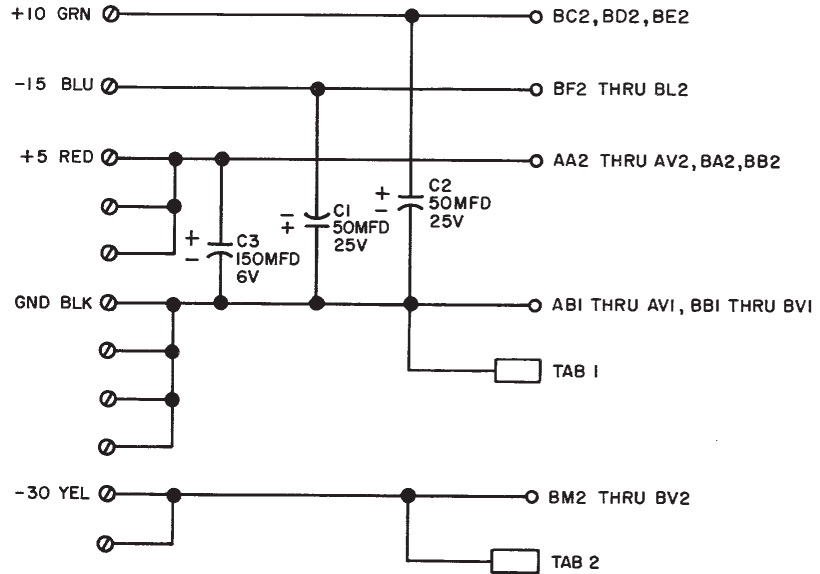


| | | | |
|------|----------|------|------|
| REV. | NUMBER | CODE | SIZE |
| | G780-0-1 | CS | B |

THIS SCHEMATIC IS FURNISHED ONLY FOR TEST AND MAINTENANCE PURPOSES. THE CIRCUITS ARE PROPRIETARY IN NATURE AND SHOULD BE TREATED ACCORDINGLY. COPYRIGHT 1969 BY DIGITAL EQUIPMENT CORPORATION



UNLESS OTHERWISE INDICATED:

⊙ ARE EYELETS

TABS ARE DEC A-MD-7407196

REVISIONS
CHK/CHG NO. | REV.

| | |
|-----------|---------|
| DRN. | DATE |
| R. BUTLER | 4/18/69 |
| CHK'D | DATE |
| M. Mearns | 4-24-69 |
| ENG | DATE |
| Z. Sale | 5/15/69 |
| PROD. | DATE |

| TRANSISTOR & DIODE CONVERSION CHART | | | |
|-------------------------------------|-----|-----|-----|
| DEC | EIA | DEC | EIA |
| | | | |
| | | | |
| | | | |
| | | | |
| | | | |
| | | | |
| | | | |

digital
EQUIPMENT CORPORATION
MAYNARD, MASSACHUSETTS

| | | | |
|----------------------|------|----------|------|
| TITLE | | | |
| POWER CONNECTOR G780 | | | |
| SIZE | CODE | NUMBER | REV. |
| B | CS | G780-0-1 | |
| PRINTED CIRCUIT REV. | | | A |