

2-22

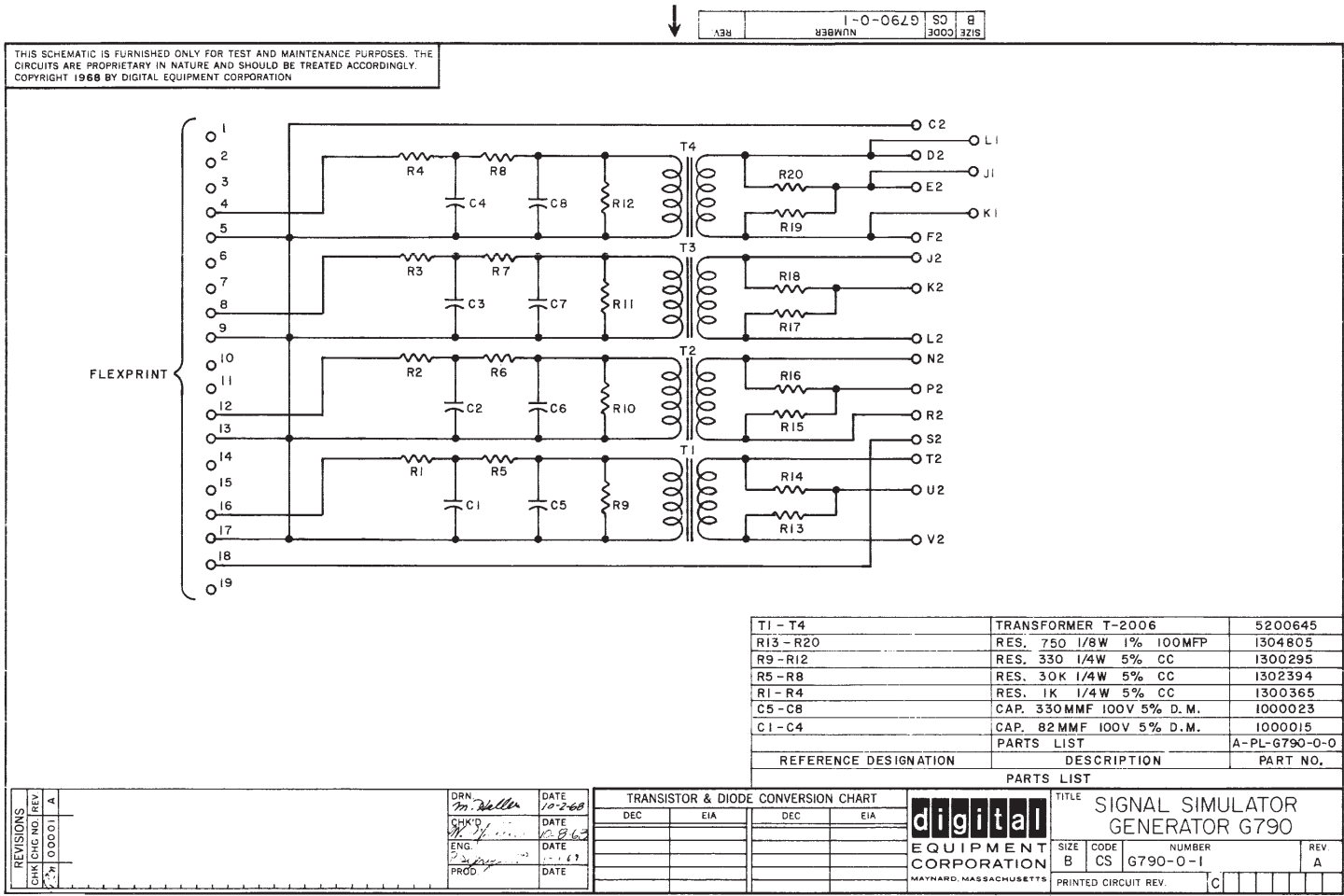


Figure 2-19 G790 Signal Simulator Generator, Circuit Schematic