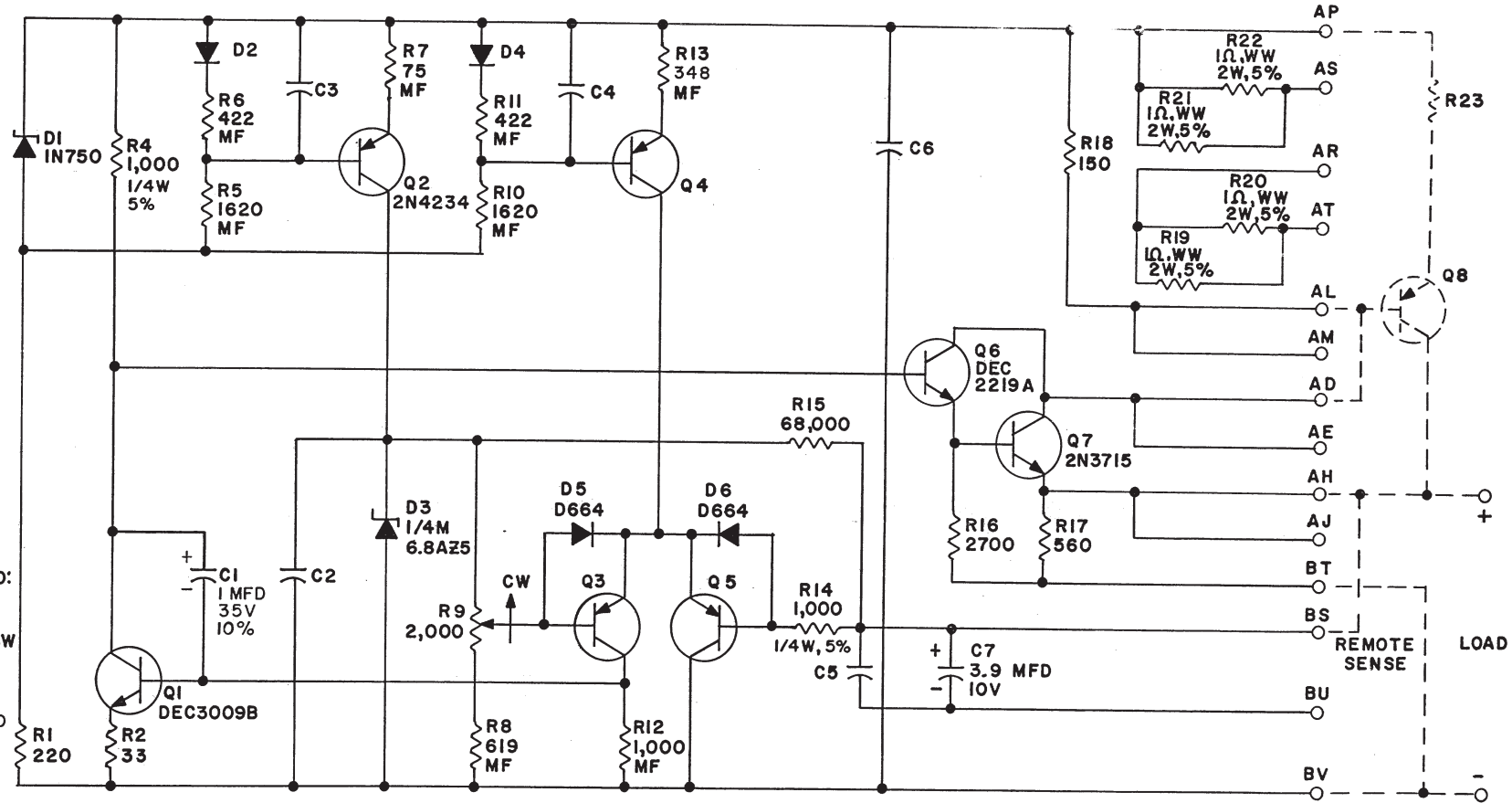


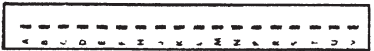
REV. C
 NUMBER 6810-0-1
 SIZE CODE

THIS SCHEMATIC IS FURNISHED ONLY FOR TEST AND MAINTENANCE PURPOSES. THE CIRCUITS ARE PROPRIETARY IN NATURE AND SHOULD BE TREATED ACCORDINGLY. COPYRIGHT 1967 BY DIGITAL EQUIPMENT CORPORATION



UNLESS OTHERWISE INDICATED:
 DIODES ARE D662
 RESISTORS ARE 1/4W, 10%
 MF RESISTORS ARE 1%, T₀, 1/8W
 CAPACITORS ARE .01 MFD,
 -0 +20%
 R9 IS A #275P
 TRANSISTORS ARE DEC6534D

PARTS LIST A-PL-6810-0-0



REVISIONS CHK CHG NO. REV. 6862 B 7120 C	DRN. <i>Mr. Waller</i>	DATE 10-3-67	TRANSISTOR & DIODE CONVERSION CHART				digital EQUIPMENT CORPORATION MAYNARD, MASSACHUSETTS	TITLE 6V REGULATOR CONTROL G810		
	CHK'D	DATE	DEC	EIA	DEC	EIA		SIZE	CODE	NUMBER
	ENG. <i>D. J. Clavin</i>	DATE	DEC3009B	2N3009	IN750	SAME		B	CS	G810-0-1
	PROD. 1	DATE	DEC6534D	NONE	1/4M 6.8AZ5	IN4099		REV. C		
			2N4234	SAME	DEC2219A	2N2219	PRINTED CIRCUIT REV. C			
			D662	IN645	2N3715	SAME	DATE: 3-24-67			
			D664	IN3606						