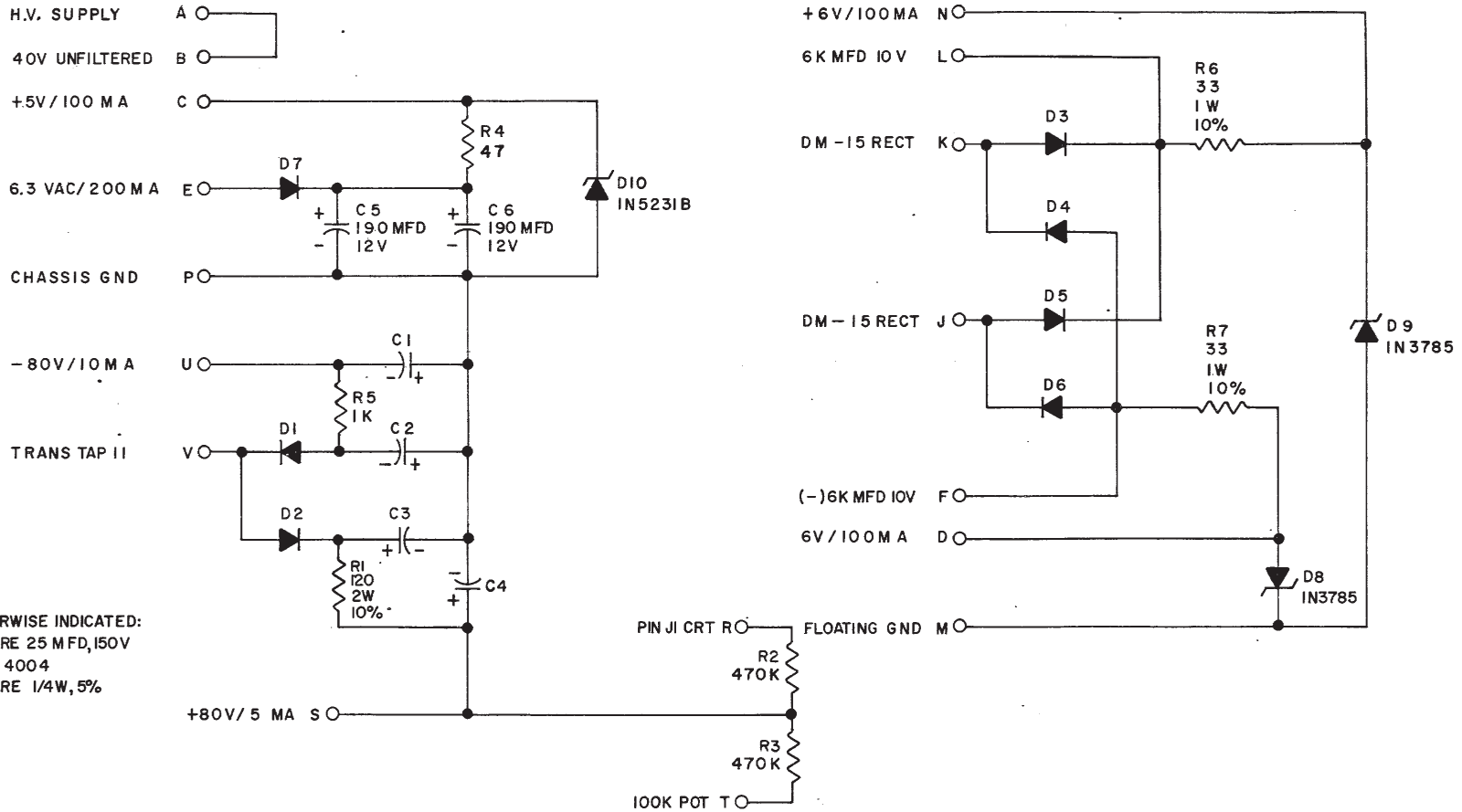


REV. B
 NUMBER G817-0-1
 SIZE B
 CODE CS
 300 3215

THIS SCHEMATIC IS FURNISHED ONLY FOR TEST AND MAINTENANCE PURPOSES. THE CIRCUITS ARE PROPRIETARY IN NATURE AND SHOULD BE TREATED ACCORDINGLY. COPYRIGHT 1969 BY DIGITAL EQUIPMENT CORPORATION



UNLESS OTHERWISE INDICATED:
 CAPACITORS ARE 25 MFD, 150V
 DIODES ARE IN 4004
 RESISTORS ARE 1/4W, 5%

REVISIONS	CHK	CHG NO.	REV.
		00001	B

DRN.	DATE
<i>Refining</i>	4-25-69
CHK'D	DATE
<i>R. W. W.</i>	6-2-69
ENG.	DATE
<i>R. B. B.</i>	7-17-69
PROD.	DATE

TRANSISTOR & DIODE CONVERSION CHART			
DEC	EIA	DEC	EIA
IN 5231B	SAME		
IN 3785	SAME		
IN 4004	SAME		

digital
 EQUIPMENT CORPORATION
 MAYNARD, MASSACHUSETTS

TITLE POWER SUPPLY BI G817			
SIZE B	CODE CS	NUMBER G817-0-1	REV. B
PRINTED CIRCUIT REV.			A