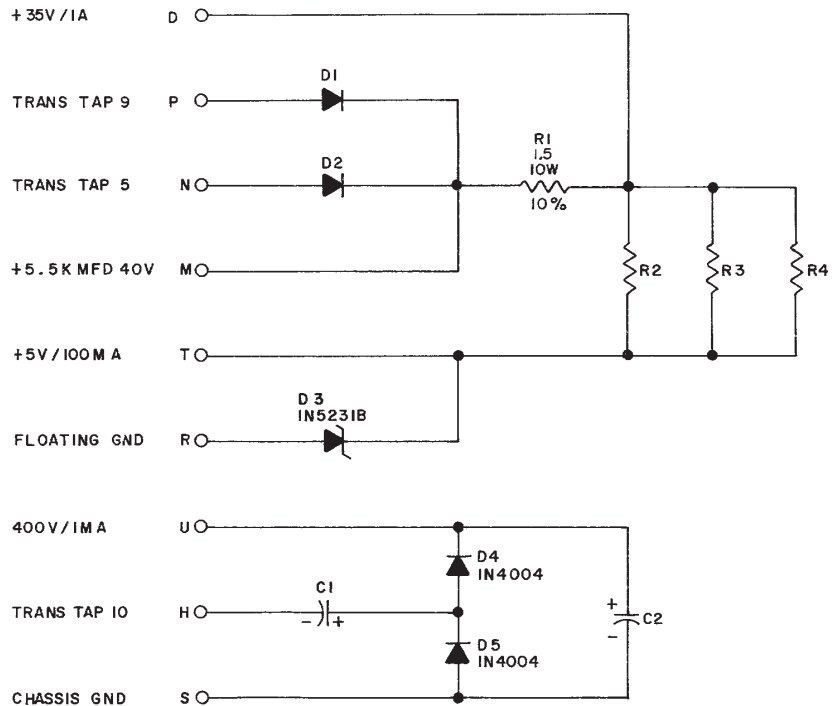


REV. D
 NUMBER G818-0-1
 SIZE CODE B CS

THIS SCHEMATIC IS FURNISHED ONLY FOR TEST AND MAINTENANCE PURPOSES. THE CIRCUITS ARE PROPRIETARY IN NATURE AND SHOULD BE TREATED ACCORDINGLY. COPYRIGHT 1969 BY DIGITAL EQUIPMENT CORPORATION



UNLESS OTHERWISE INDICATED:
 CAPACITORS ARE 10 MFD 450V
 DIODES ARE MR 1033B
 RESISTORS ARE 1K 2W 5%

REVISIONS	
CHK (CHG NO.)	REV.
00001	C
00002	D

DRN	DATE
<i>M. J. ...</i>	4-20-69
CHK'D	DATE
<i>M. J. ...</i>	1-3-69
ENG	DATE
<i>R. B. ...</i>	2-2-67
PROD	DATE
<i>R. B. ...</i>	1-2-69

TRANSISTOR & DIODE CONVERSION CHART			
DEC		EIA	
MR1033B		SAME	
IN5231B		SAME	
IN4004		SAME	

digital
 EQUIPMENT CORPORATION
 MAYNARD, MASSACHUSETTS

TITLE			
POWER SUPPLY B2 G818			
SIZE	CODE	NUMBER	REV.
B	CS	G818-0-1	D
PRINTED CIRCUIT REV.			
B			