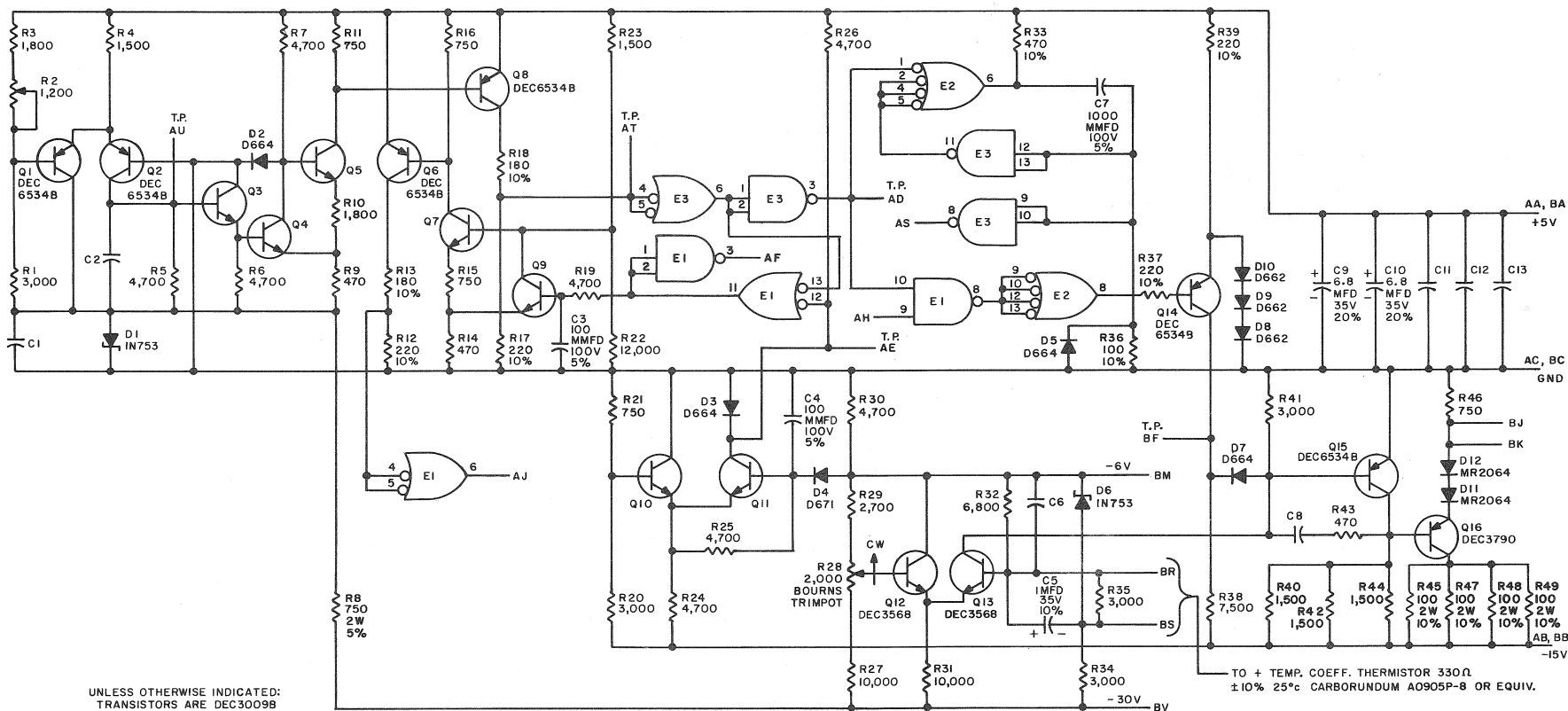


THIS SCHEMATIC IS FURNISHED ONLY FOR TEST AND MAINTENANCE PURPOSES. THE CIRCUITS ARE PROPRIETARY IN NATURE AND SHOULD BE TREATED ACCORDINGLY. COPYRIGHT 1967 BY DIGITAL EQUIPMENT CORPORATION



UNLESS OTHERWISE INDICATED:
 TRANSISTORS ARE DEC3009B
 RESISTORS ARE 1/4W, 5%
 CAPACITORS ARE .01 MFD
 E1 & E3 ARE DEC7400N
 E2 IS DEC740N
 PIN 7 ON EACH IC = GND
 PIN 14 ON EACH IC = +5V
 R2 IS POT CODE #13-05778-3

PARTS LIST A-PL-G826-0-0

REVISIONS CHK CHG NO. REV. E 2/3 6823	DRN. M. Waller	DATE 5-10-67	TRANSISTOR & DIODE CONVERSION CHART				digital EQUIPMENT CORPORATION MAYNARD, MASSACHUSETTS	TITLE REGULATOR CONTROL G826		
	CHK'D DATE 5/15/67 PROD. DATE 5/25/67	DEC DEC3009B DEC6534B DEC3790 D662	EIA 2N3009 2N3368 MPS6534 2N3790 IN645	DEC D664 D671	EIA IN3806 IN3653	IN IN753 MR2064 IN4001		SIZE C CS	CODE CS	NUMBER G826-0-1

DEC FORM NO. DRG 102

Dist. 324 430/833 PINK