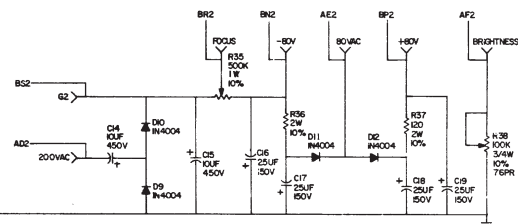
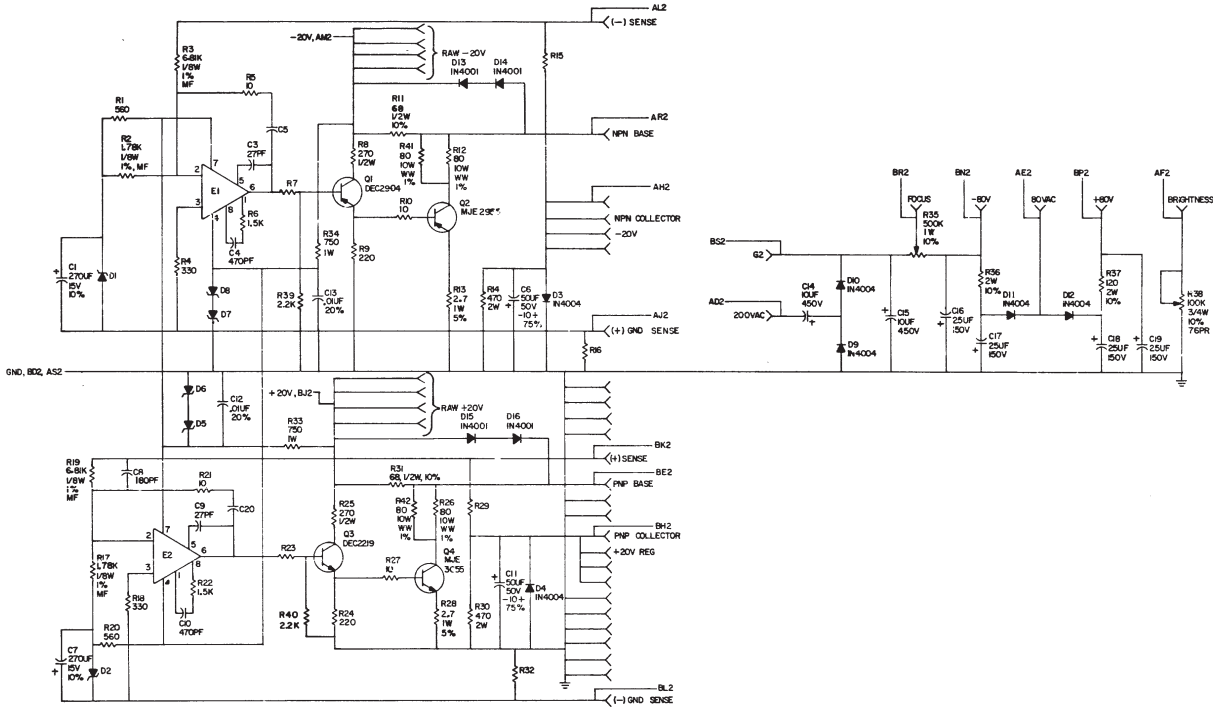


THIS SCHEMATIC IS FURNISHED ONLY FOR TEST AND MAINTENANCE PURPOSES. THE CIRCUITS ARE PROPERTY OF THE AIR FORCE AND SHOULD BE TREATED ACCORDINGLY. COPYRIGHT © 1951 BY DIGITAL EQUIPMENT CORPORATION.



UNLESS OTHERWISE INDICATED:
RESISTORS ARE 1/4W, 5%
DIODES ARE IN752A, 5.6V
CAPACITORS ARE 100PF, 100V, 5%
E1, E2 ARE DIS709C
-> EYELETS

REVISIONS				TRANSISTOR & DIODE CONVERSION CHART				TITLE					
NO.	DATE	BY	REASON	TRANSISTOR	DIODE	DATE	BY	TRANSISTOR	DIODE	DATE	BY	TRANSISTOR	DIODE
1	12-25-51	MARY HANDEL	INITIAL DESIGN										
2	1-10-52	W. E.										
3										

VR-14 POWER SUPPLY
AND REGULATOR BD G836
EQUIPMENT
CORPORATION
PRINTED CIRCUIT REV