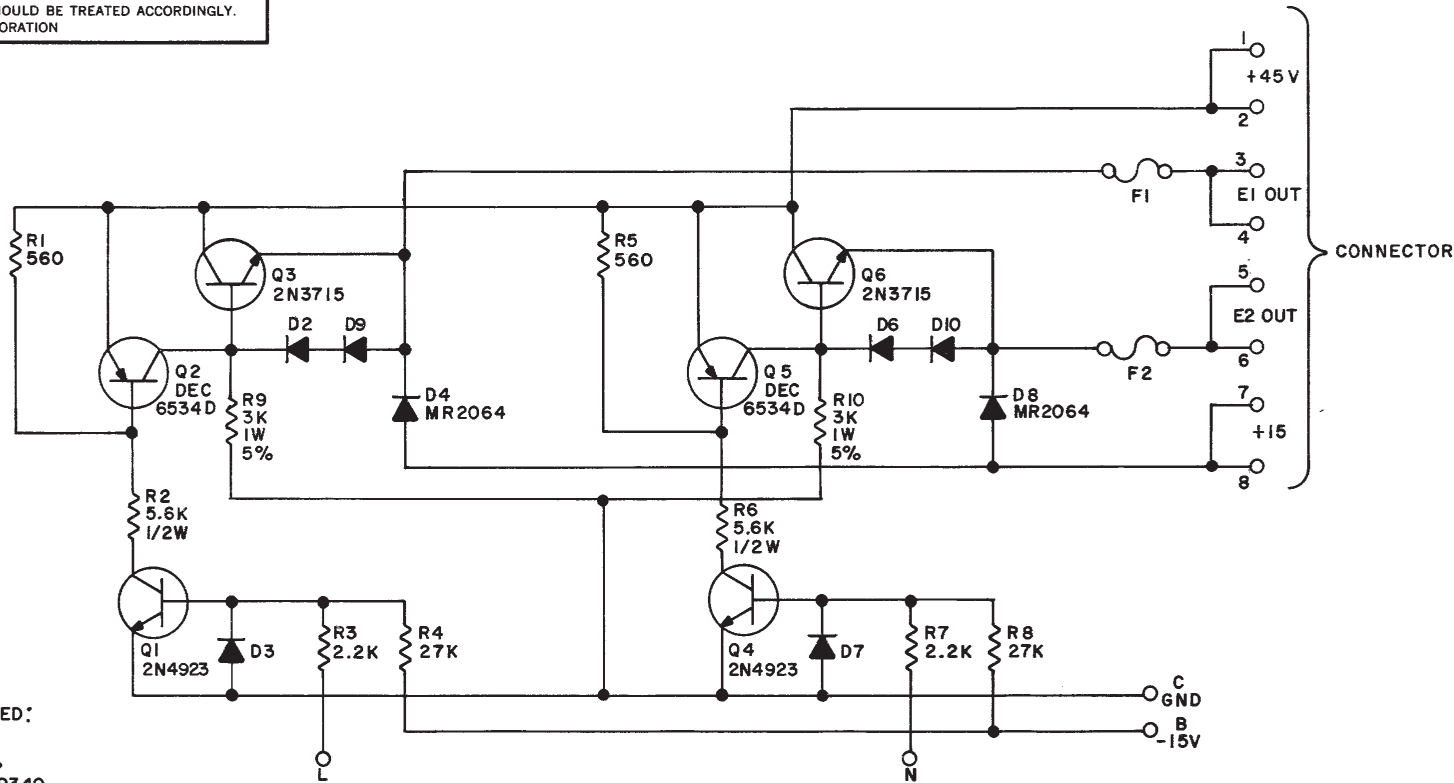


REV. A  
 NUMBER 6847-0-1  
 SIZE CODE B CS

THIS SCHEMATIC IS FURNISHED ONLY FOR TEST AND MAINTENANCE PURPOSES. THE CIRCUITS ARE PROPRIETARY IN NATURE AND SHOULD BE TREATED ACCORDINGLY. COPYRIGHT 1969 BY DIGITAL EQUIPMENT CORPORATION



UNLESS OTHERWISE INDICATED:  
 DIODES ARE D672  
 RESISTORS ARE 1/4W, 10%  
 CONNECTOR IS DEC #1209340  
 CONNECTOR PINS ARE DEC #1209456  
 F1, F2 ARE 5 AMP

REVISIONS	CHK	CHG NO.	REV.
		00002	A
		00003	

DRN.	DATE
<i>G. Blum</i>	9-9-69
CHK'D	DATE
<i>V. J. Zwick</i>	9/26/69
ENG.	DATE
<i>C. Lushy</i>	2-17-70
PROD.	DATE

TRANSISTOR & DIODE CONVERSION CHART			
DEC	EIA	DEC	EIA
D672	IN3653		
MR2064	IN4001		
2N3715	NONE		
2N4923	NONE		
DEC6534B	MPS6534		

**digital**  
 EQUIPMENT CORPORATION  
 MAYNARD, MASSACHUSETTS

TITLE DUAL MOTOR VOLTAGE CONTROL G847			
SIZE B	CODE CS	NUMBER G847-0-1	REV. A
PRINTED CIRCUIT REV. C			