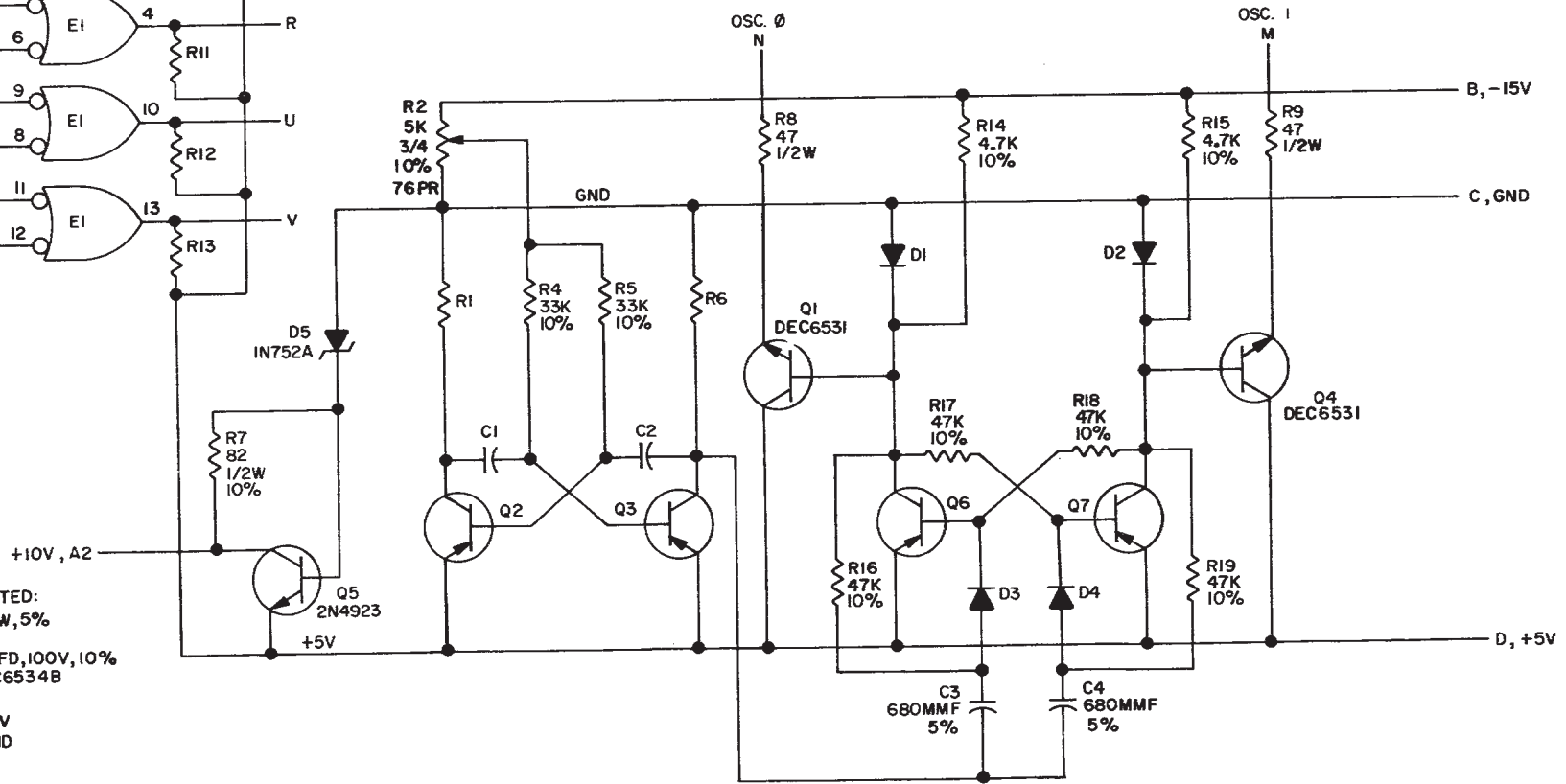
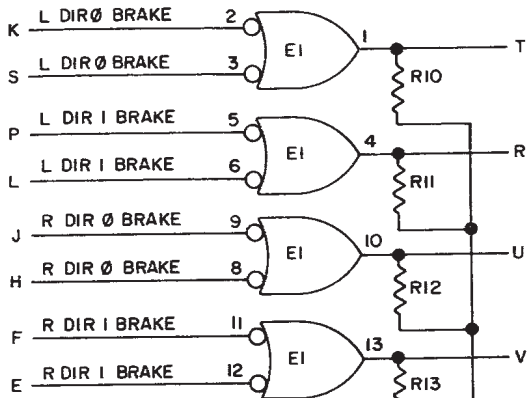


THIS SCHEMATIC IS FURNISHED ONLY FOR TEST AND MAINTENANCE PURPOSES. THE CIRCUITS ARE PROPRIETARY IN NATURE AND SHOULD BE TREATED ACCORDINGLY. COPYRIGHT 1969 BY DIGITAL EQUIPMENT CORPORATION



UNLESS OTHERWISE INDICATED:
 RESISTORS ARE 1K, 1/4W, 5%
 DIODES ARE D664
 CAPACITORS ARE .39MFD, 100V, 10%
 TRANSISTORS ARE DEC6534B
 E1 IS DEC7401
 PIN 14 ON EACH IC = +5V
 PIN 7 ON EACH IC = GND

REVISIONS	CHK	CHG NO.	REV.
	00001	A	
	00002	B	

DRN.	DATE
BUTLER	11-13-69
CHK'D	DATE
ENG	DATE
PROD	DATE

TRANSISTOR & DIODE CONVERSION CHART			
DEC	EIA	DEC	EIA
D664	IN3606		
DEC6534B	MPS6534B		
DEC6531	MPS6531		
2N4923	SAME		

digital
 EQUIPMENT CORPORATION
 MAYNARD, MASSACHUSETTS

TITLE			
CLOCK & REGULATOR G859			
SIZE	CODE	NUMBER	REV.
B	CS	G859-0-1	B
PRINTED CIRCUIT REV.			
A			