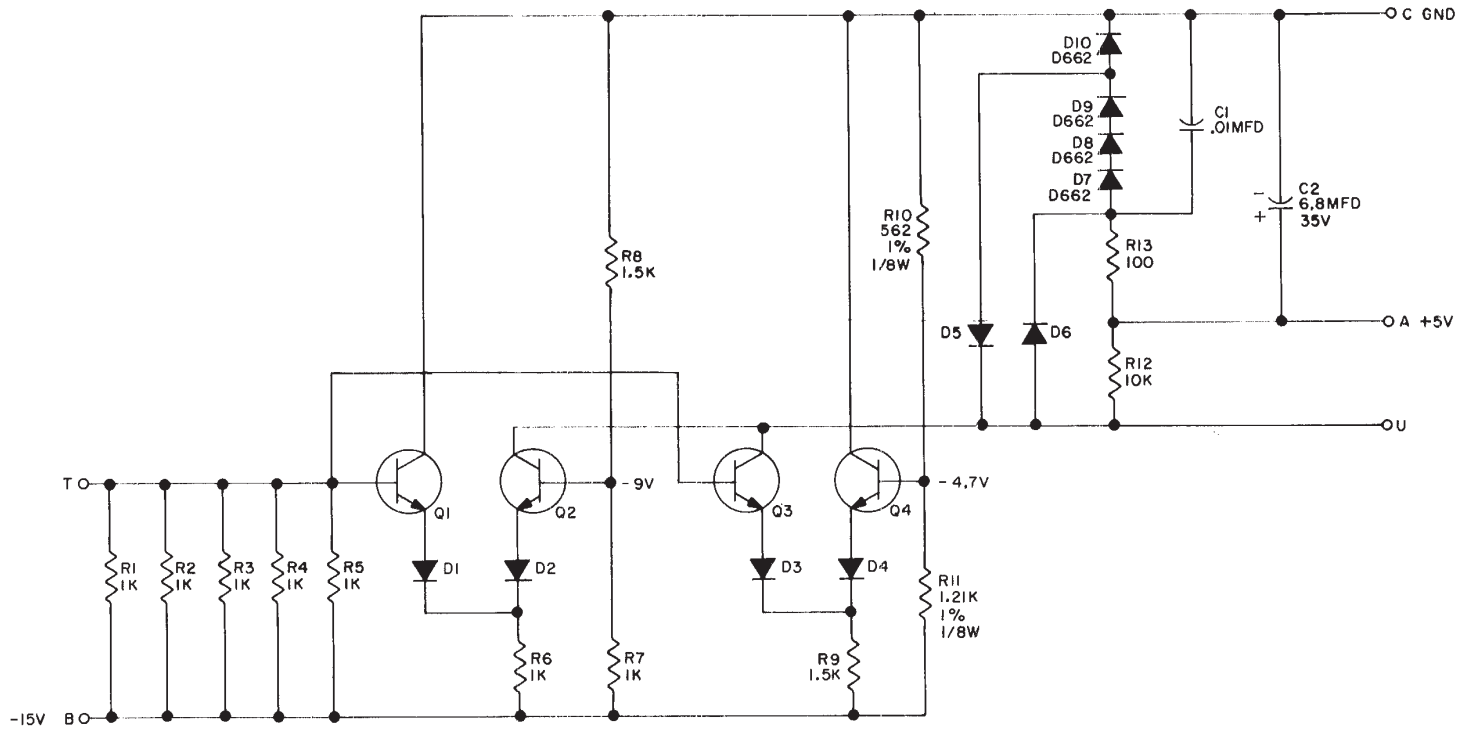


THIS SCHEMATIC IS FURNISHED ONLY FOR TEST AND MAINTENANCE PURPOSES. THE CIRCUITS ARE PROPRIETARY IN NATURE AND SHOULD BE TREATED ACCORDINGLY. COPYRIGHT 1969 BY DIGITAL EQUIPMENT CORPORATION



UNLESS OTHERWISE INDICATED:  
 RESISTORS ARE 1/4W, 5%  
 DIODES ARE D664  
 TRANSISTORS ARE DEC3009B

REVISIONS	CHK	CHG	NO	REV

DRN	DATE
BUTLER	1/21/69
CHK'D	DATE
W. Ganga	2/17/69
ENG	DATE
W. Zuber	9/13/69
PROD	DATE

TRANSISTOR & DIODE CONVERSION CHART			
DEC	EIA	DEC	EIA
D664	1N3606		
D662	1N645		
DEC3009B	2N3009		

**digital**  
 EQUIPMENT CORPORATION  
 MAYNARD, MASSACHUSETTS

TITLE			
TRANSPORT DETECTOR G879			
SIZE	CODE	NUMBER	REV.
B	CS	G879-0-1	
PRINTED CIRCUIT REV.			A